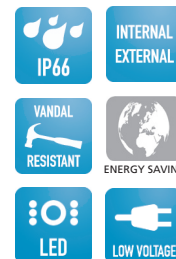


LNR-8S1-LT (30/90)

Short Range Single Panel Illuminator 30 or 90 degrees



The Ganz® Night Raven range of entry level Infra-Red LED illuminators are designed to provide class leading performance, long life and ultra low maintenance.

Incorporating the latest dual core surface mount LEDs with enhanced optical output and outstanding reliability, they deliver excellent night-time images.

Each unit is fitted with integrated control circuitry to carefully control LED output, delivering consistent illumination and projected working life in excess of 10 years.

Installation is quick and easy, requiring only a 12-32V DC / 24V AC +/- 10%.

Key Features

- ▶ Distance up to 20m (66ft) LNR-8S1-30-LT
- ▶ Latest SMT Dual Core LED™ Technology
- ▶ 850nm Wavelength
- ▶ IP66 Weather Proof Rating
- ▶ Easy Installation
- ▶ Integrated Photocell
- ▶ CleanLITE® Self Cleaning Lens Coating Technology
- ▶ 3 Year Warranty
- ▶ Low Power Consumption (12W)

V1.01

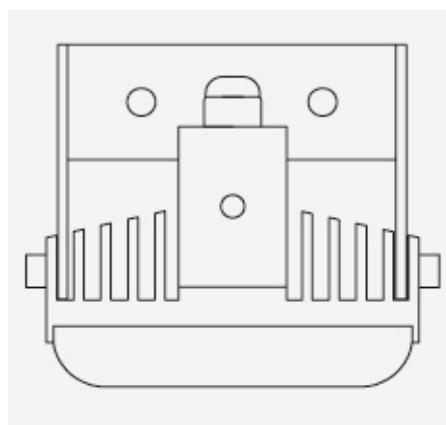
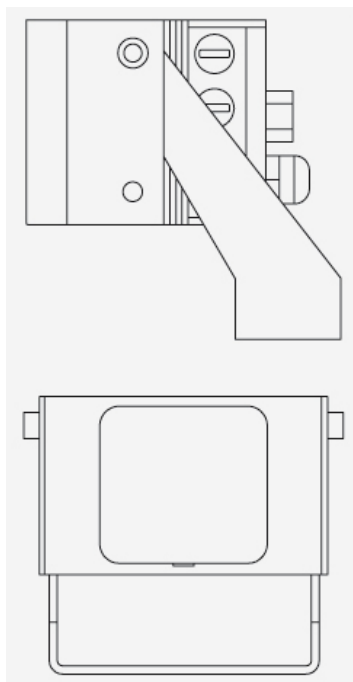
LNR-8S1-LT 30/90

Short Range Illuminator

Specifications

Description / Model	LNR-8S1-30-LT	LNR-8S1-90-LT
ILLUMINATOR		
Electronics	High Efficiency Surface Mount High Power Dual Core LED's™ With Advanced Current Limited	
Construction	Robust High Quality Aluminium Extrusion	
Front Window	Polycarbonate High Transmission Protective (Vandal Proof) IR Filter with CleanLITE® Technology	
Finish	Black Anodised	
Power Cable	3m (9ft)	
Photocell	Preset 50 Lux	
Wavelength	850nm	
Angle	30°	90°
Distance	20m (66ft)	15m (49ft)
Field Of View	11m (36ft)	30m (98ft)
Operating Temperature	-50° to 60°C (-58° to 140°F)	
Weight	750g (1.6lbs)	
Mount	Powder Coated Stainless Steel Wall Mount	
Dimensions	68 x 110 x 78mm (2.68" x 4.33" x 3.07")	
ELECTRICAL		
Input Voltage	12-32V DC or 24V AC	
Input Current	0.5A at 24V AC	
Consumption	12W	
WAVELENGTH		
Standard	850nm (Semi Covert). Faint Red Glow Only	

NB. Specification subject to change without notification



V1.01