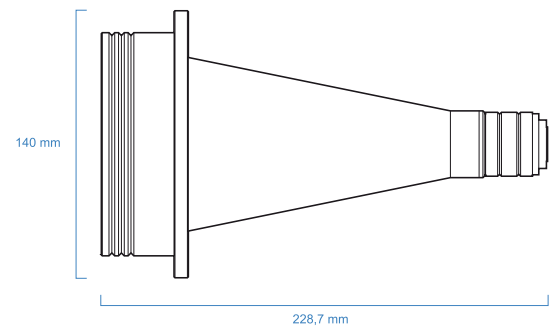


PCPW013

Polyview lens for 1/3" detectors

SPECIFICATIONS

Detector type	1/3"	
Max. object diameter for SIDE inspection		
with object height 20 mm	(mm)	30
with object height 5 mm	(mm)	50
Max object diameter for SIDE + TOP inspection		
with object height 10 mm	(mm)	30
Optical specifications		
Wavelength range	(nm)	450 ... 650
Working distance	(mm)	20 ... 40
CTF @ 50 lp/(mm)	(%)	> 60
F/#		4-12
Mechanical specifications		
Diameter	(mm)	140
Length	(mm)	224
Mass	(g)	990
Mount		C



COMPATIBLE PRODUCTS

LTRN series LED ring illuminators

LTRN050R45	Ring LED illuminator, inner diam. 15.2 mm, oblique type, red 630 nm
LTRN050G45	Ring LED illuminator, inner diam. 15.2 mm, oblique type, green 525 nm
LTRN050B45	Ring LED illuminator, inner diam. 15.2 mm, oblique type, blue 470 nm
LTRN050W45	Ring LED illuminator, inner diameter 15.2 mm, oblique type, white
LTRN245R45	Ring LED illuminator, inner diameter 117 mm, oblique type, red 630 nm
LTRN245G45	Ring LED illuminator, inner diameter 117 mm, oblique type, green 525 nm
LTRN245B45	Ring LED illuminator, inner diameter 117 mm, oblique type, blue 470 nm
LTRN245W45	Ring LED illuminator, inner diameter 117 mm, oblique type, white

OI series Replacement ocular lenses

OIPW013	Replacement ocular lens for PCPW013 optics
---------	--

