

For Security

Motorized Zoom Lens

Motorized Zoom Lens



H55ZAME-F

Motorized Zoom Lens

Feature (H55ZAME-F)

Super-Telephoto capability provides detection at over 4.5 miles

Preset circuitry easily matches high-performance surveillance systems

High resolution optics compatible with C-mount 3CCD cameras

Ultra-High 137.5X Magnification with built-in optical 2.5X extender

RS232C Serial Communication option

Applications:

Surveillance of vast areas, borders, coastlines, parks, town centers and stadiums etc.

Tokyo Tower view from 2.3km away



1 Wide (f=12mm)



2 Mid Range



3 Tele (f=660mm, 55x zoom)



4 Super-Tele with built-in 2.5X extender (f=1,650mm, 137.5x zoom)

TS6ZME Series

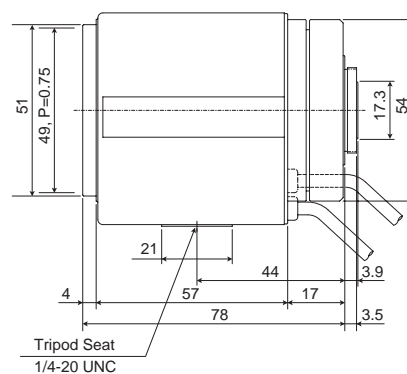
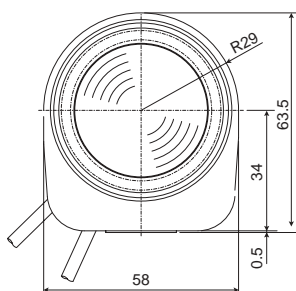


Motorized Zoom Lens

Specifications Code		Standard C70600	
Model	Zoom Operation	Type 1	TS6ZME-1
		Type 2	TS6ZME-2
		Type 3	TS6ZME-3
		Type 5	TS6ZME-5
Format Size		1/3 format	
Focal Length		6.3 ~ 38mm	
Max. Aperture Ratio		1:1.2	
Iris Range		F1.2 ~ 360	
Mount		CS	
Horizontal Angle of View	1/4 format	31.26 ~ 5.59 °	
	1/3 format	41.12 ~ 7.43 °	
	1/2 format		
	2/3 format		
Min. Object Distance		1.8m	
Back Focal Length		9.23mm	
Filter Size		49mm P=0.75mm	
Dimensions		58 × 63.5 × 78mm	
Iris Operation		Auto-Iris (Video or DC)	
Response Speed of Video Iris (Close - Open)		Approx. 1.5 sec.	
Speed of Focus (Near - Far)		Approx. 5.0 sec.	
Speed of Zoom (Wide - Tele)		Approx. 5.0 sec.	
Weight		410g	
Remarks			

For details of control voltage, current and connection diagrams of each zoom operation type, please refer to page 49.

Unit:mm



TS10ZME Series

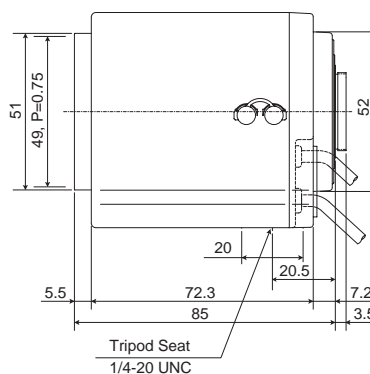
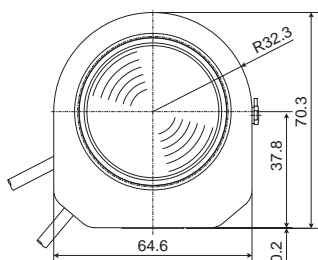
Motorized Zoom Lens



Specifications Code			Standard C70500	Preset C70501
Model	Zoom Operation	Type 1	TS10ZME-1	TS10ZME-1P
		Type 2	TS10ZME-2	TS10ZME-2P
		Type 3	TS10ZME-3	TS10ZME-3P
		Type 5	TS10ZME-5	TS10ZME-5P
Format Size			1/3 format	
Focal Length			5.8 ~ 58mm	
Max. Aperture Ratio			1:1.2 ~ 1.7	
Iris Range			F1.2 ~ 360	
Mount			CS	
Horizontal Angle of View	1/4 format		33.77 ~ 3.62 °	
	1/3 format		44.07 ~ 4.78 °	
	1/2 format			
	2/3 format			
Min. Object Distance			1.8m	
Back Focal Length			8.99mm	
Filter Size			49mm P=0.75mm	
Dimensions			64.6 × 70.3 × 85mm	
Iris Operation			Auto-Iris(Video or DC)	
Response Speed of Video Iris (Close - Open)			Approx. 1.5 sec.	
Speed of Focus (Near - Far)			Approx. 8.0 sec	
Speed of Zoom (Wide - Tele)			Approx. 6.5 sec	
Weight			380g	430g
Remarks				

For details of control voltage, current and connection diagrams of each zoom operation type, please refer to page 49 and 50.

Unit:mm



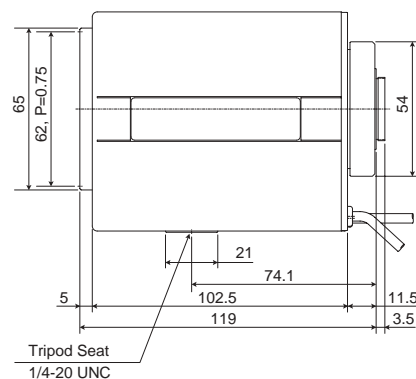
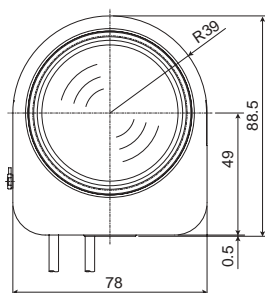
TS15ZAME Series



Specifications Code		Standard C70624	Preset C70627	Full Function (Preset & Iris Override) C70628	
Model	Zoom Operation	Type 1	TS15ZAME-1	TS15ZAME-1P	TS15ZAME-2FH
		Type 2	TS15ZAME-2	TS15ZAME-2P	
		Type 3	TS15ZAME-3		TS15ZAME-5P
		Type 5	TS15ZAME-5		
Format Size			1/3 format		
Focal Length			6.0 ~ 90mm		
Max. Aperture Ratio			1:1.2 ~ 1.8		
Iris Range			F1.2 ~ 430		
Mount			CS		
Horizontal Angle of View	1/4 format		32.96 ~ 2.33 °		
	1/3 format		43.48 ~ 3.08 °		
	1/2 format				
	2/3 format				
Min. Object Distance			1.5m		
Back Focal Length			10.70mm		
Filter Size			62mm P=0.75mm		
Dimensions			78 × 88.5 × 119mm		
Iris Operation		Auto-Iris【 Video or DC(Model of DC: TS15ZAMED-)】		Video Iris with Override	
Response Speed of Video Iris (Close - Open)			Approx. 1.5 sec.		
Speed of Focus (Near - Far)		Approx. 8.0 sec.	Approx. 8.0 sec.	High-Speed: Approx. 2.5 sec.	
Speed of Zoom (Wide - Tele)		Approx. 6.0 sec.	Approx. 6.0 sec.	High-Speed: Approx. 2.5 sec.	
Weight		760g		770g	
Remarks				D/A converter option	

For details of control voltage, current and connection diagrams of each zoom operation type, please refer to page 49, 50, 51 and 52.

Unit:mm



TS20ZAME Series

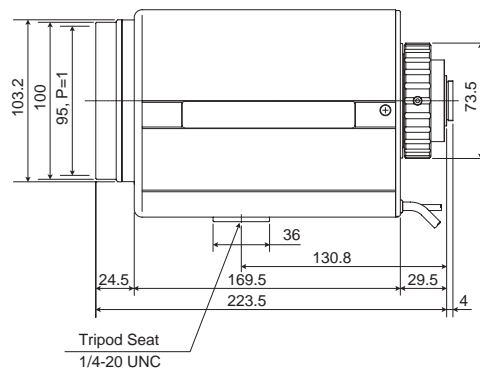
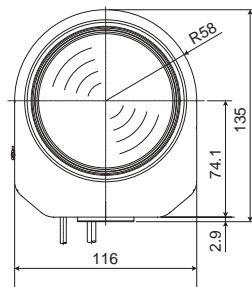
20X
Zoom



Specifications Code			Standard C70904	Preset C70906	Full Function (Preset & Iris Override) C70905
Model	Zoom Operation	Type 1	TS20ZAME-1	TS20ZAME-1P	-
		Type 2	TS20ZAME-2	TS20ZAME-2P	TS20ZAME-2F
		Type 3	TS20ZAME-3	TS20ZAME-3P	-
		Type 5	TS20ZAME-5	TS20ZAME-5P	TS20ZAME-5F
Format Size			1/3 format		
Focal Length			9.0 ~ 180mm		
Max. Aperture Ratio			1 : 1.2 ~ 2.1		
Iris Range			F1.2 ~ 510		
Mount			CS		
Horizontal Angle of View	1/4 format		22.61 ~ 1.15 °		
	1/3 format		30.28 ~ 1.53 °		
	1/2 format				
	2/3 format				
Min. Object Distance			2.2m		
Back Focal Length			14.25mm		
Filter Size			95mm P=1.0mm		
Dimensions			116 x 135 x 223.5mm		
Iris Operation			Auto-Iris (Video or DC)		Video Iris with Override
Response Speed of Video Iris (Close - Open)			Approx. 1.5 sec.		
Speed of Focus (Near - Far)			Approx. 10.0 sec.		
Speed of Zoom (Wide - Tele)			Approx. 10.0 sec.		
Weigh			2,590g		
Remarks			D/A converter option		

For details of control voltage, current and connection diagrams of each zoom operation type, please refer to page 49, 50, 51 and 52.

Unit:mm



HS6ZME Series

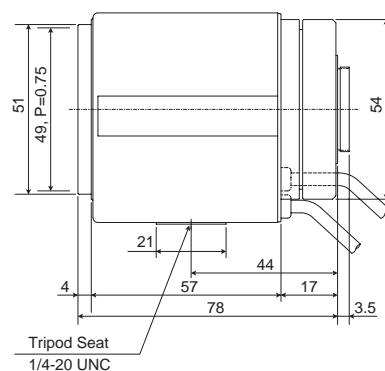
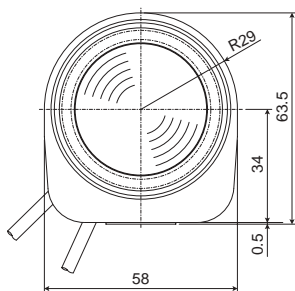


Motorized Zoom Lens

Specifications Code		Standard C60806	
Model	Zoom Operation	Type 1	HS6ZME-1
		Type 2	HS6ZME-2
		Type 3	HS6ZME-3
		Type 5	HS6ZME-5
Format Size		1/2 format	
Focal Length		8.0 ~ 48mm	
Max. Aperture Ratio		1:1.4	
Iris Range		F1.4 ~ 360	
Mount		CS	
Horizontal Angle of View	1/4 format	24.81 ~ 4.39 °	
	1/3 format	32.78 ~ 5.82 °	
	1/2 format	42.88 ~ 7.69 °	
	2/3 format		
Min. Object Distance		1.8m	
Back Focal Length		11.60mm	
Filter Size		49mm P=0.75mm	
Dimensions		58 x 63.5 x 78mm	
Iris Operation		Auto-Iris(Video or DC)	
Response Speed of Video Iris (Close - Open)		Approx. 1.5 sec.	
Speed of Focus (Near - Far)		Approx. 5.0 sec.	
Speed of Zoom (Wide - Tele)		Approx. 5.0 sec.	
Weight		400g	
Remarks			

For details of control voltage, current and connection diagrams of each zoom operation type, please refer to page 49.

Unit:mm



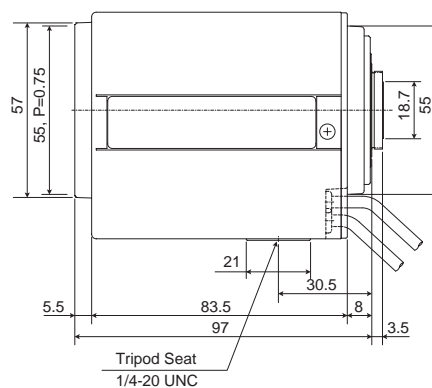
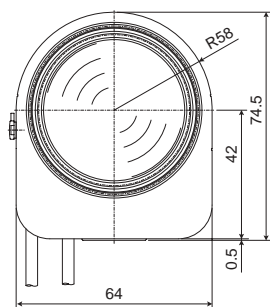
H6ZBME Series



Specifications Code		Standard C60809	Preset C60810	Full Function (Preset & Iris Override) C60813
Model	Zoom Operation	Type 1	H6ZBME-1P	H6ZBME-1F
		Type 2	H6ZBME-2P	H6ZBME-2F
		Type 3	H6ZBME-3P	H6ZBME-3F
		Type 5	H6ZBME-5P	H6ZBME-5F
Format Size		1/2 format		
Focal Length		8.0 ~ 48mm		
Max. Aperture Ratio		1:1.0 ~ 1.2		
Iris Range		F1.0 ~ 720		
Mount		C		
Horizontal Angle of View	1/4 format	24.92 ~ 4.42 °		
	1/3 format	32.98 ~ 5.86 °		
	1/2 format	43.24 ~ 7.73 °		
	2/3 format			
Min. Object Distance		1.2m		
Back Focal Length		13.65mm		
Filter Size		55mm P=0.75mm		
Dimensions		64 × 74.5 × 97mm		
Iris Operation		Auto-Iris(Video or DC)		Video Iris with Override
Response Speed of Video Iris (Close - Open)		Approx. 1.5 sec.		
Speed of Focus (Near - Far)		Approx. 6.0 sec.		
Speed of Zoom (Wide - Tele)		Approx. 6.0 sec.		
Weight		530g	540g	
Remarks				

For details of control voltage, current and connection diagrams of each zoom operation type, please refer to page 49, 50, and 51.

Unit:mm



HS10ZME Series

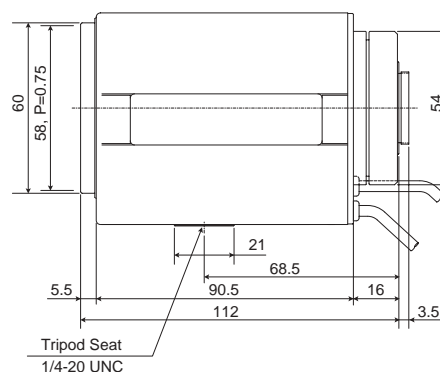
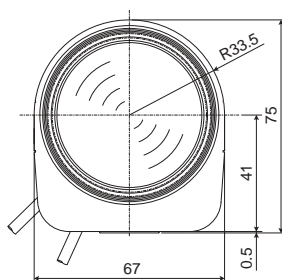


Motorized Zoom Lens

Specifications Code		Standard C60700	
Model	Zoom Operation	Type 1	HS10ZME-1
		Type 2	HS10ZME-2
		Type 3	HS10ZME-3
		Type 5	HS10ZME-5
Format Size		1/2 format	
Focal Length		7.5 ~ 75mm	
Max. Aperture Ratio		1:1.4 ~ 1.5	
Iris Range		F1.4 ~ 360	
Mount		CS	
Horizontal Angle of View	1/4 format	26.15 ~ 2.83 °	
	1/3 format	34.52 ~ 3.75 °	
	1/2 format	45.05 ~ 4.95 °	
	2/3 format		
Min. Object Distance		1.8m	
Back Focal Length		10.75mm	
Filter Size		58mm P=0.75mm	
Dimensions		67 × 75 × 112mm	
Iris Operation		Auto-Iris(Video or DC)	
Response Speed of Video Iris (Close - Open)		Approx. 1.5 sec.	
Speed of Focus (Near - Far)		Approx. 6.5 sec.(Type 2: Approx. 6.0 sec.)	
Speed of Zoom (Wide - Tele)		Approx. 5.5 sec.(Type 2: Approx. 5.0 sec.)	
Weight		580g	
Remarks			

For details of control voltage, current and connection diagrams of each zoom operation type, please refer to page 49.

Unit:mm



H10ZME Series

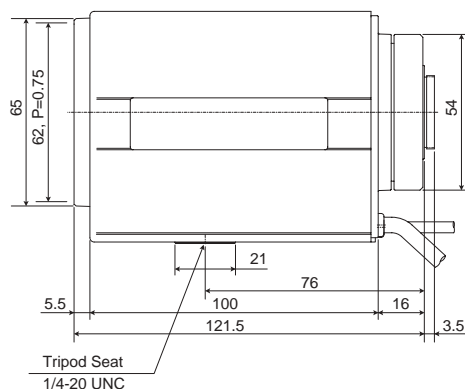
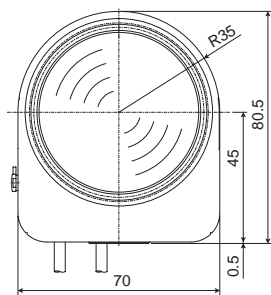
Motorized Zoom Lens



Specifications Code		Standard C60701	Preset C60702	Full Function (Preset & Iris Override) C60704	
Model	Zoom Operation	Type 1	H10ZME-1	H10ZME-1P	H10ZME-5F
		Type 2	H10ZME-2	H10ZME-2P	
		Type 3	H10ZME-3	H10ZME-3P	
		Type 5	H10ZME-5	H10ZME-5P	
Format Size		1/2 format			
Focal Length		7.5 ~ 75mm			
Max. Aperture Ratio		1:1.2 ~ 1.5			
Iris Range		F1.2 ~ 512			
Mount		C			
Horizontal Angle of View	1/4 format	26.45 ~ 2.84 °			
	1/3 format	34.94 ~ 3.77 °			
	1/2 format	45.63 ~ 4.99 °			
	2/3 format				
Min. Object Distance		1.8m			
Back Focal Length		14.52mm			
Filter Size		62mm P=0.75mm			
Dimensions		70 x 80.5 x 121.5mm			
Iris Operation		Auto-Iris(Video or DC)		Video Iris with Override	
Response Speed of Video Iris (Close - Open)		Approx. 1.5 sec.			
Speed of Focus (Near - Far)		Approx. 5.5 sec.(Type 1&3: Approx. 6.0 sec.)			
Speed of Zoom (Wide - Tele)		Approx. 5.5 sec.(Type 1&3: Approx. 6.0 sec.)			
Weight		715g	740g		
Remarks		D/A converter option			

For details of control voltage, current and connection diagrams of each zoom operation type, please refer to page 49, 50, 51 and 52.

Unit:mm



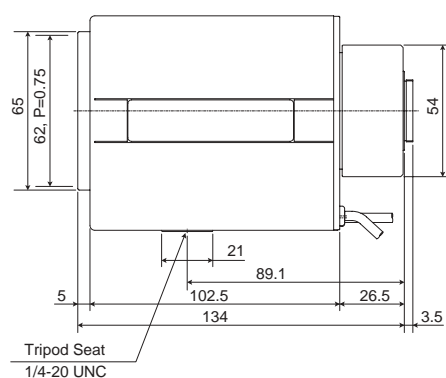
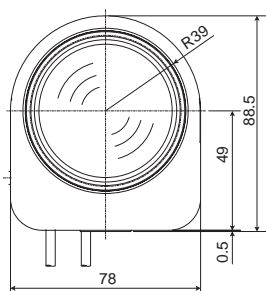
H15ZAME Series



Specifications Code		Standard C60826	Preset C60829	Full Function (Preset & Iris Override) C60830	
Model	Zoom Operation	Type 1	H15ZAME-1	H15ZAME-1P	-
		Type 2	H15ZAME-2	H15ZAME-2P	H15ZAME-2FH
		Type 3	H15ZAME-3	H15ZAME-3P	-
		Type 5	H15ZAME-5	H15ZAME-5P	H15ZAME-5FH
Format Size		1/2 format			
Focal Length		8.0 ~ 120mm			
Max. Aperture Ratio		1:1.6 ~ 2.4			
Iris Range		F1.6 ~ 1000			
Mount		C			
Horizontal Angle of View	1/4 format	24.76 ~ 1.76 °			
	1/3 format	32.85 ~ 2.34 °			
	1/2 format	43.37 ~ 3.09 °			
	2/3 format				
Min. Object Distance		1.5m			
Back Focal Length		14.05mm			
Filter Size		62mm P=0.75mm			
Dimensions		78 × 88.5 × 134mm			
Iris Operation		Auto-Iris【 Video or DC(Model Name of DC: H15ZAMED-)】		Video Iris with Override	
Response Speed of Video Iris (Close - Open)		Approx. 1.5 sec.			
Speed of Focus (Near - Far)		Approx. 8.0 sec.	Approx. 8.0 sec.	High-Speed: Approx. 2.5 sec.	
Speed of Zoom (Wide - Tele)		Approx. 6.0 sec.	Approx. 6.0 sec.	High-Speed: Approx. 2.5 sec.	
Weight		800g		840g	
Remarks		D/A converter option			

For details of control voltage, current and connection diagrams of each zoom operation type, please refer to page 49, 50, 51 and 52.

Unit:mm



H20ZAME Series

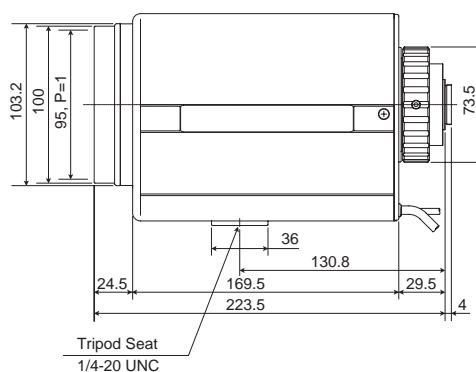
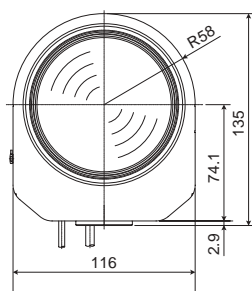
20X
Zoom



Specifications Code		Standard C61237	Preset C61239	Full Function (Preset & Iris Override) C61240	
Model	Zoom Operation	Type 1	H20ZAME-1	H20ZAME-1P	-
		Type 2	H20ZAME-2	H20ZAME-2P	H20ZAME-2FH
		Type 3	H20ZAME-3	H20ZAME-3P	-
		Type 5	H20ZAME-5	H20ZAME-5P	H20ZAME-5FH
Format Size		1/2 format			
Focal Length		12 ~ 240mm			
Max. Aperture Ratio		1:1.6 ~ 2.8			
Iris Range		F1.6 ~ 720			
Mount		C			
Horizontal Angle of View	1/4 format	17.17 ~ 0.88 °			
	1/3 format	22.95 ~ 1.17 °			
	1/2 format	30.78 ~ 1.56 °			
	2/3 format				
Min. Object Distance		2.8m			
Back Focal Length		19.82mm			
Filter Size		95mm P=1.0mm			
Dimensions		116 × 135 × 223.5mm			
Iris Operation		Auto-Iris【Video or DC (Model Name of DC: H20ZAMED-)】		Video Iris with Override	
Response Speed of Video Iris (Close - Open)		Approx. 1.5 sec.			
Speed of Focus (Near - Far)		Approx. 10.0 sec.	Approx. 10.0 sec.	High-Speed: Approx. 4.5 sec.	
Speed of Zoom (Wide - Tele)		Approx. 10.0 sec.	Approx. 10.0 sec.	High-Speed: Approx. 4.5 sec.	
Weight		2,590g		2,630g	
Remarks		H20ZAME-2PI IR coating option		D/A converter option	

For details of control voltage, current and connection diagrams of each zoom operation type, please refer to page 49, 50, 51 and 52.

Unit:mm



H55ZAME Series

- 55X Zoom
- Built-in 2.5X Extender
- RS232C



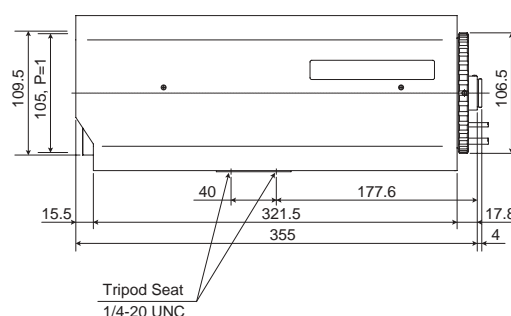
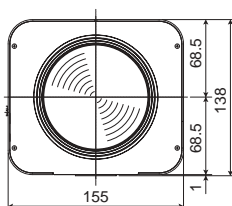
Motorized Zoom Lens

Specifications Code		Full Function (Preset & Iris Override) C61244	
Model	Zoom Operation	Type 1	
		Type 2	H55ZAME-2F
		Type 3	
		Type 5	H55ZAME-5F
Format Size		1/2 format	
Focal Length		12 ~ 660mm (30.5 ~ 1,680mm)	
Max. Aperture Ratio		1:4.0 (f=12mm) ~ 18.2 (f=1,680mm)	
Iris Range		F4.0 ~ 360	
Mount		C	
Horizontal Angle of View	1/4 format	17.17 ~ 0.31 (ϕ 6.76 ~ 0.12 °)	
	1/3 format	23.18 ~ 0.42 (ϕ 9.03 ~ 0.16 °)	
	1/2 format	31.65 ~ 0.56 (ϕ 12.06 ~ 0.22 °)	
	2/3 format		
Min. Object Distance		5.0m	
Back Focal Length		8.99mm	
Filter Size		105mm P=1.0mm	
Dimensions		155 x 138 x 355mm	
Iris Operation		Video Iris with Override (with D/A converter)	
Response Speed of Video Iris (Close - Open)		Approx. 1.5 sec.	
Speed of Focus (Near - Far)		Approx. 4.5 sec.	
Speed of Zoom (Wide - Tele)		Approx. 4.5 sec.	
Weight		5,400g	
Remarks		without D/A converter option, RS232C Serial Communication option	

The numerals in parentheses () refer to the figures when the built-in 2.5X extender is in use.

For details of control voltage, current and connection diagrams of each zoom operation type, please refer to page 53.

Unit:mm

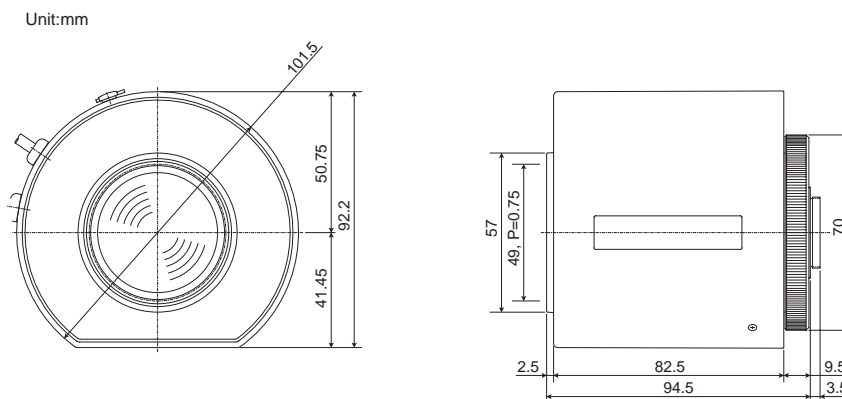


C6ZAME Series



Specifications Code			Standard C31220	Preset C31221
Model	Zoom Operation	Type 1	C6ZAME-1	C6ZME-1P
		Type 2	C6ZAME-2	C6ZME-2P
		Type 3	C6ZAME-3	C6ZME-3P
		Type 5	C6ZAME-5	C6ZME-5P
Format Size			2/3 format	
Focal Length			12.5 ~ 75mm	
Max. Aperture Ratio			1:1.8	
Iris Range			F1.8 ~ 720	
Mount			C	
Horizontal Angle of View	1/4 format		16.05 ~ 2.75 °	
	1/3 format		21.36 ~ 3.66 °	
	1/2 format		28.38 ~ 4.87 °	
	2/3 format		38.72 ~ 6.67 °	
Min. Object Distance			1.0m	
Back Focal Length			18.41mm	
Filter Size			49mm P=0.75mm	
Dimensions			101.5 x 92.2 x 94.5mm	
Iris Operation			Auto-Iris(Video)	
Response Speed of Video Iris (Close - Open)			Approx. 1.5 sec.	
Speed of Focus (Near - Far)			Approx. 5.0 sec. (Type 1&3: Approx. 5.5 sec.)	
Speed of Zoom (Wide - Tele)			Approx. 5.0 sec. (Type 1&3: Approx. 5.5 sec.)	
Weight			620g	655g
Remarks				

For details of control voltage, current and connection diagrams of each zoom operation type, please refer to page 49 and 50.



C6Z1218M3 Series

Full Motorized

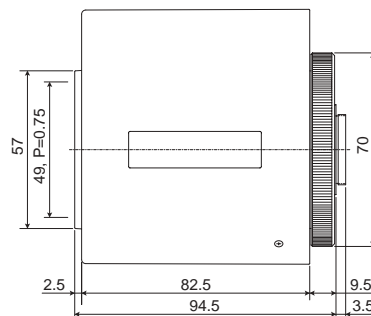
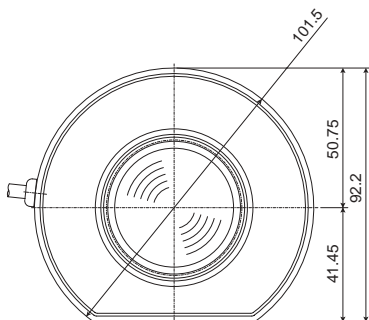


Motorized Zoom Lens

Specifications Code		Standard C31211	
Model	Zoom Operation	Type 1	C6Z1218M3-1
		Type 2	C6Z1218M3-2
		Type 3	C6Z1218M3-3
		Type 5	C6Z1218M3-5
Format Size		2/3 format	
Focal Length		12.5 ~ 75mm	
Max. Aperture Ratio		1:1.8	
Iris Range		1.8 - C	
Mount		C	
Horizontal Angle of View	1/4 format	16.07 ~ 2.75 °	
	1/3 format	21.38 ~ 3.66 °	
	1/2 format	28.41 ~ 4.87 °	
	2/3 format	38.76 ~ 6.67 °	
Min. Object Distance		1.0m	
Back Focal Length		18.41mm	
Filter Size		49mm P=0.75mm	
Dimensions		101.5 x 92.2 x 94.5mm	
Iris Operation		Motorized Iris (DC motor)	
Response Speed of Video Iris (Close - Open)		Approx. 4.0 sec.	
Speed of Focus (Near - Far)		Approx. 5.0 sec. (Type 1&3: Approx. 5.5 sec.)	
Speed of Zoom (Wide - Tele)		Approx. 5.0 sec. (Type 1&3: Approx. 5.5 sec.)	
Weight		820g	
Remarks			

For details of control voltage, current and connection diagrams of each zoom operation type, please refer to page 49.

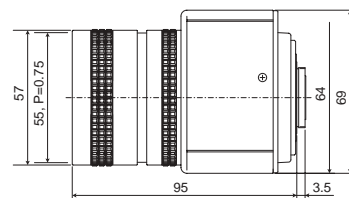
Unit:mm





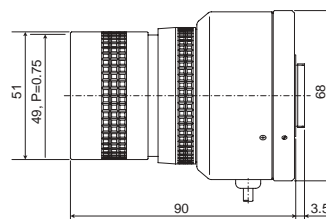
Model Code	H6ZBE C60811	
Format Size	1/2 format	
Focal Length	8.0 ~ 48mm	
Max. Aperture Ratio	1:1.0 ~ 1.2	
Iris Range	1.0 ~ 720	
Mount	C	
Horizontal Angle of View	1/4 format	24.92 ~ 4.42 °
	1/3 format	32.98 ~ 5.86 °
	1/2 format	43.24 ~ 7.73 °
	3/2 format	
Min. Object Distance	0.75m	
Back Focal Length	13.65mm	
Filter Size	55mm P=0.75mm	
Dimensions	69 × 64 × 95mm	
Weight	465g	
Remarks	Video or DC Iris	

Unit:mm



Model Code	C6ZE C31219	
Format Size	2/3 format	
Focal Length	12.5 ~ 75mm	
Max. Aperture Ratio	1:1.8	
Iris Range	1.8 ~ 720	
Mount	C	
Horizontal Angle of View	1/4 format	16.05 ~ 2.75 °
	1/3 format	21.36 ~ 3.66 °
	1/2 format	28.38 ~ 4.87 °
	3/2 format	38.72 ~ 6.67 °
Min. Object Distance	1.0m	
Back Focal Length	18.41mm	
Filter Size	49mm P=0.75mm	
Dimensions	68 × 90mm	
Weight	385g	
Remarks	Video Iris	

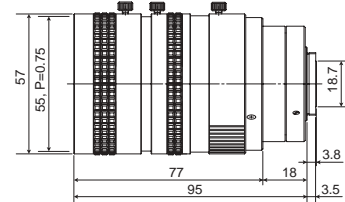
Unit:mm





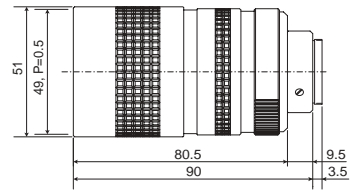
Model Code	H6Z810 C60812	
Format Size	1/2 format	
Focal Length	8.0 ~ 48mm	
Max. Aperture Ratio	1:1.0 ~ 1.2	
Iris Range	1.0 ~ 22	
Mount	C	
Horizontal Angle of View	1/4 format	24.92 ~ 4.42 °
	1/3 format	32.99 ~ 5.86 °
	1/2 format	43.26 ~ 7.73 °
	3/2 format	
Min. Object Distance	0.75m	
Back Focal Length	13.65mm	
Filter Size	55mm P=0.75mm	
Dimensions	57 x 95mm	
Weight	430g	
Remarks	Manual Iris, Lock Screws	

Unit:mm



Model Code	C6Z1218 C31204	
Format Size	2/3 format	
Focal Length	12.5 ~ 75mm	
Max. Aperture Ratio	1:1.8	
Iris Range	1.8 ~ 22	
Mount	C	
Horizontal Angle of View	1/4 format	16.07 ~ 2.75 °
	1/3 format	21.38 ~ 3.66 °
	1/2 format	28.41 ~ 4.87 °
	3/2 format	38.76 ~ 6.67 °
Min. Object Distance	1.0m	
Back Focal Length	18.41mm	
Filter Size	49mm P=0.75mm	
Dimensions	51 x 90mm	
Weight	320g	
Remarks	Manual Iris	

Unit:mm



Manual Zoom Lens