

Fixed Magnification Telecentric Lens

MML High Resolution 5M Series

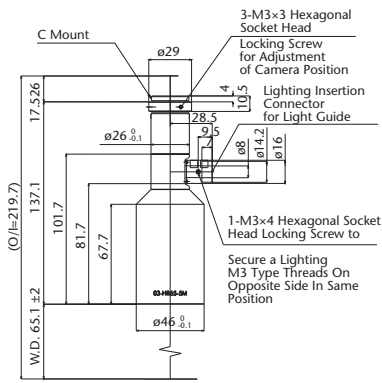
High-resolution models that possess the best contrast and NA of all MML Series. Image acquisition with even higher image quality is realized by combining these lenses with cameras with a high number of pixels, especially emerging 5 megapixel sensors.

- Highest image quality model of the MMLs Series.
- Supports 5 million pixels (3.34 μ m/pixel)
* Except for MML4-HR65DVI-5M
- Use of internal reflection light-scattering design and noise reduction filter for hot spot reduction
- Variable iris available for most models
- Very low distortion

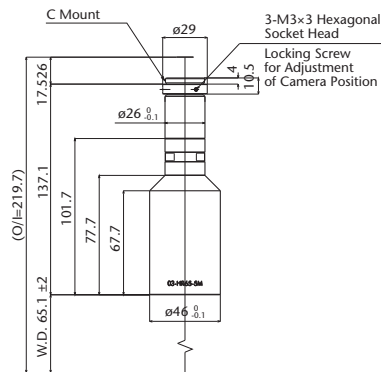


Model	Magnification	O/I	WD	Resolution	Depth of Field	NA	Effective FNo	TV Distortion	Largest Compatible Camera	Weight
MML03-HR65D-5M	×0.3	219.7mm	65.1mm	15.7 μ m	6.2mm	0.021	7	0.01% or less	2/3"	202g
MML03-HR65-5M	×0.3	219.7mm	65.1mm	15.7 μ m	6.2mm	0.021	7	0.01% or less	2/3"	198g
MML05-HR65DVI-5M	×0.5	219.8mm	65.3mm	9.3 μ m ~ 41 μ m	2.2mm ~ 9.8mm	0.036 ~ 0.008	7 ~ 30.6	0.01% or less	2/3"	210g
MML05-HR65VI-5M	×0.5	219.8mm	65.3mm	9.3 μ m ~ 41 μ m	2.2mm ~ 9.8mm	0.036 ~ 0.008	7 ~ 30.6	0.01% or less	2/3"	210g
MML1-HR65DVI-5M	×1	167.5mm	65mm	4.7 μ m ~ 19 μ m	0.56mm ~ 2.2mm	0.071 ~ 0.018	7 ~ 28	0.02% or less	2/3"	140g
MML1-HR65VI-5M	×1	167.5mm	65mm	4.7 μ m ~ 19 μ m	0.56mm ~ 2.2mm	0.071 ~ 0.018	7 ~ 28	0.02% or less	2/3"	135g
MML2-HR65DVI-5M	×2	185mm	65mm	2.4 μ m ~ 15.3 μ m	0.15mm ~ 0.9mm	0.14 ~ 0.022	7.3 ~ 44.9	0.04% or less	2/3"	200g
MML2-HR65VI-5M	×2	185mm	65mm	2.4 μ m ~ 15.3 μ m	0.15mm ~ 0.9mm	0.14 ~ 0.022	7.3 ~ 44.9	0.04% or less	2/3"	190g
MML3-HR65DVI-5M	×3	209.5mm	65mm	2.1 μ m ~ 10.5 μ m	0.085mm ~ 0.42mm	0.157 ~ 0.032	9.6 ~ 47.5	0.01% or less	2/3"	280g
MML3-HR65VI-5M	×3	209.5mm	65mm	2.1 μ m ~ 10.5 μ m	0.085mm ~ 0.42mm	0.157 ~ 0.032	9.6 ~ 47.5	0.01% or less	2/3"	275g
MML4-HR65DVI-5M	×4	225.1mm	65mm	2 μ m ~ 8.2 μ m	0.06mm ~ 0.24mm	0.167 ~ 0.041	12.1 ~ 48.6	0.01% or less	2/3"	290g
MML4-HR65VI-5M	×4	225.1mm	65mm	2 μ m ~ 8.2 μ m	0.06mm ~ 0.24mm	0.167 ~ 0.041	12.1 ~ 48.6	0.01% or less	2/3"	285g
MML014-HR110D-5M	×0.14	300mm	110mm	19.3 μ m	16.4mm	0.018	4	-0.01% or less	2/3"	730g
MML03-HR110D-5M	×0.3	269.9mm	110mm	15.7 μ m	6.2mm	0.021	7	0.02% or less	2/3"	212g
MML03-HR110-5M	×0.3	269.9mm	110mm	15.7 μ m	6.2mm	0.021	7	0.02% or less	2/3"	209g

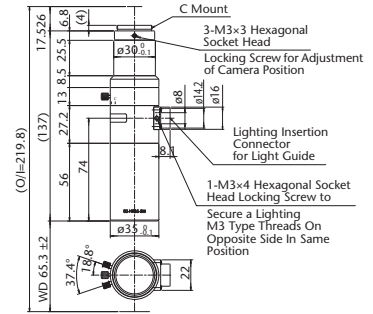
MML03-HR65D-5M



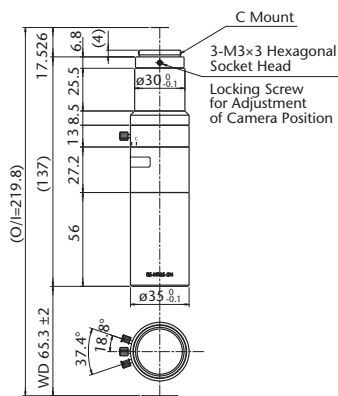
MML03-HR65-5M



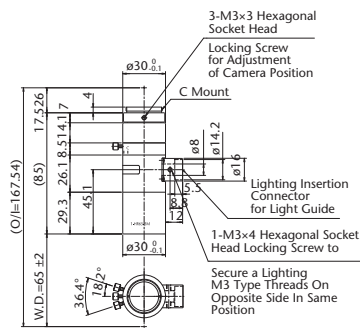
MML05-HR65DVI-5M



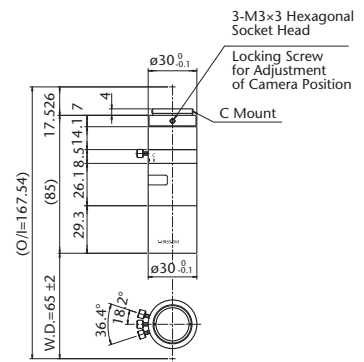
MML05-HR65VI-5M



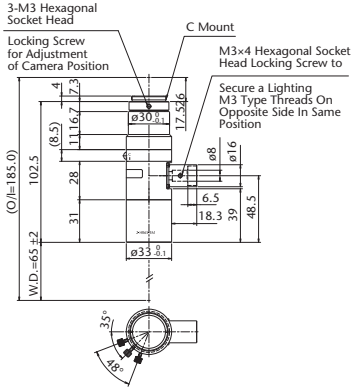
MML1-HR65DVI-5M



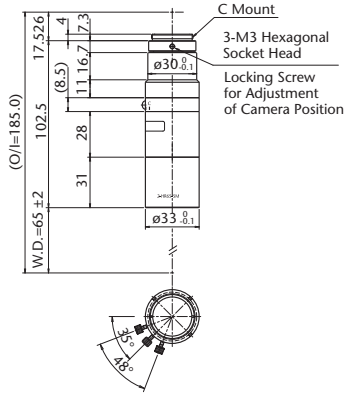
MML1-HR65VI-5M



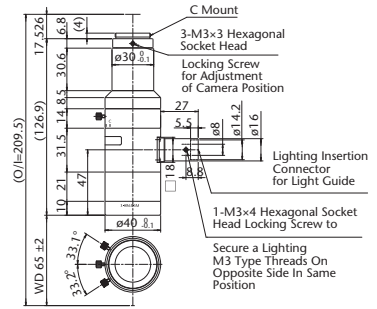
MML2-HR65DVI-5M



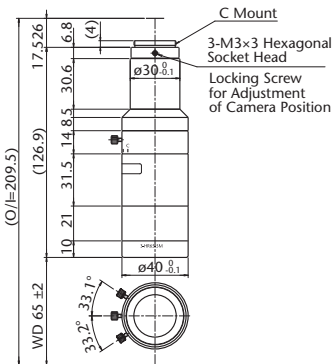
MML2-HR65VI-5M



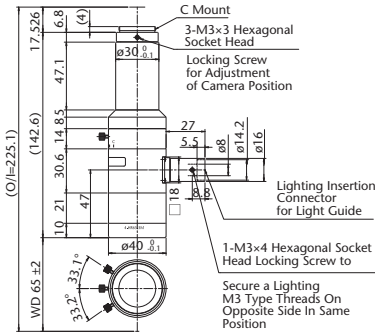
MML3-HR65DVI-5M



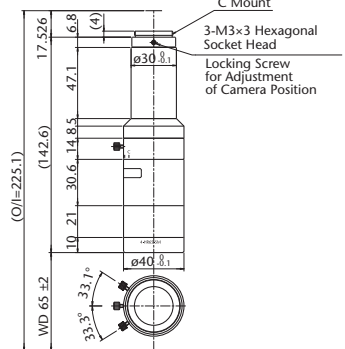
MML3-HR65VI-5M



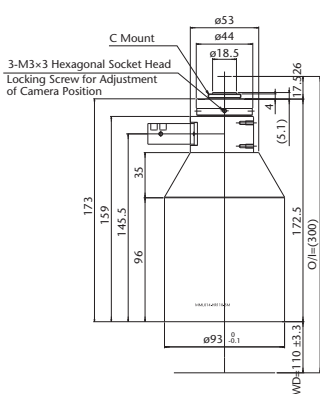
MML4-HR65DVI-5M



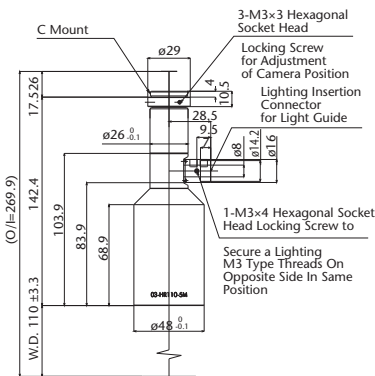
MML4-HR65VI-5M



MML014-HR110D-5M



MML03-HR110D-5M



MML03-HR110-5M

