

MV-CL084-91GM

8192 P CMOS GigE Line Scan Camera



GEN*i*CAM

GigE
VISION

Introduction

MV-CL084-91GM camera adopts CMOS sensor to provide high-quality image, and uses GigE interface to transmit images in real time. It adopts multiple ISP image algorithms and functions, and supports external trigger modes like line trigger, frame trigger, and trigger-width exposure.

Key Feature

- Supports image compression mode, TDI, trigger-width exposure, etc.
- Supports manual adjustment for Gamma correction, PRNUC correction, LUT, black level, etc.
- Adopts bi-directional I/O hardware design.
- Compact design and flexible installation.
- Compatible with GigE Vision V2.0 and GenICam standard.

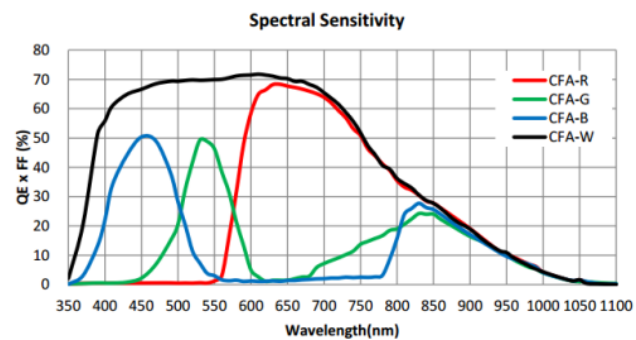
Available Model

MV-CL084-91GM

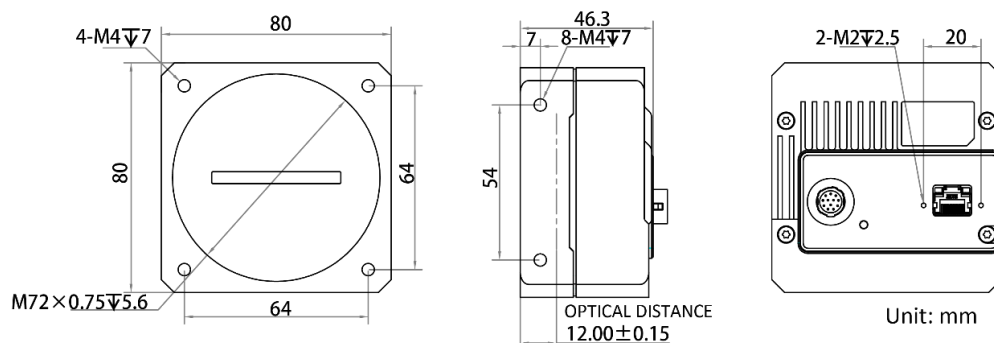
Applicable Industry

Printing, textiles, railway, logistics, metallurgy, food, pharmaceutical manufacturing, material sorting, etc.

Sensor Quantum Efficiency



Dimension



Specification

Model	MV-CL084-91GM
Performance	
Sensor type	CMOS
Pixel size	5 μ m
Resolution	8192 \times 4
Image mode	Supports 1-line, 2-TDI, 4-TDI
Max. line rate*	Standard mode: 14 kHz @ Mono 8, 7 kHz @ Mono 10/12, 9.4 kHz @ Mono 10Packed/Mono 12Packed High-bandwidth mode: 29.8 kHz @ Mono 8, 20 kHz @ Mono 10/Mono 12
Dynamic range	54.8 dB
SNR	40.3 dB
Gain	Supports 1.2 \times , 2.7 \times , 4.6 \times
Exposure time	3 μ s to 10 ms
Exposure mode	Off/ Once/ Continuous exposure mode, and supports trigger-width exposure
Mono/color	Mono
Pixel format	Mono 8/10/10Packed/12/12Packed
Binning	Supports 1 \times 1, 1 \times 2, 1 \times 4, 2 \times 1, 2 \times 2, 2 \times 4, 4 \times 1, 4 \times 2, 4 \times 4
Reverse image	Supports horizontal reverse image output
Trigger mode	External trigger, internal trigger
External trigger mode	Line trigger, frame trigger, line + frame trigger
Electrical feature	
Data interface	Gigabit Ethernet, compatible with Fast Ethernet
Digital I/O	12-pin P10 connector provides power and I/O: configurable input or output \times 4 (Line 0/1/3/4) and support single-ended/differential
Power supply	12 VDC to 24 VDC
Power consumption	Typ. 12.4 W @ 12 VDC
Mechanical	
Lens mount	M72*0.75, flange back length 12 mm
Dimension	80 mm \times 80 mm \times 46.3 mm (3.1" \times 3.1" \times 1.8")
Weight	Approx. 465 g (1.0 lb.)
Ingress protection	IP40 (under proper lens installation and wiring)
Temperature	Working temperature: -20 $^{\circ}$ C to 55 $^{\circ}$ C (-4 $^{\circ}$ F to 131 $^{\circ}$ F) Storage temperature: -30 $^{\circ}$ C to 80 $^{\circ}$ C (-22 $^{\circ}$ F to 176 $^{\circ}$ F)
Humidity	5% RH to 90% RH (no condensation)
General	
Client software	MVS or the third-party software meeting with GigE Vision protocol
Operating system	32/64-bit Windows 7/10, 64-bit Windows 11, 32/64-bit Linux
Compatibility	GigE Vision V2.0, GenICam
Certification	CE, RoHS, KC

*The actual line rate after enabling high-bandwidth mode depends on images of objects, and max. line rate in high-bandwidth mode is for reference only.