



Benefits:

- For D415, D435, D455, T265
- Robust construction
- High IP protection class
- High chemical resistance
- Vibration-proof mounting
- Camera mount included
- Good heat dissipation
- Compact size
- Affordable price
- Adaptable to all Mounting Kits
- USB cable feeds through the cable gland



Technical Details:

Dimensions (w x h x l, without cable gland)	150 x 64 x 34mm
Weight	Approx. 500g

Window Material	BK7
------------------------	-----

Colour	Light grey, RAL 7001 other colours on request
---------------	--

Enclosure Material	Powder Coated Aluminum
---------------------------	------------------------

Enclosure Seals	Polyurethane
------------------------	--------------

Options	- Dovetail profiles - Pressure equalising valve for outdoor use
----------------	---

Protection Class	IP66 (Nema 4) IP67 (Nema 6)
-------------------------	--------------------------------

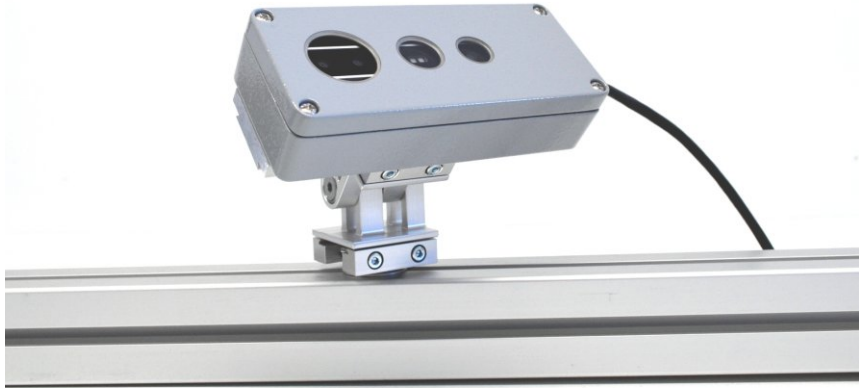
Cable Gland Aperture (max. connector size)	13.5mm (D415, D435) 16mm (T265, D455)
--	--

Cable Diameter	4-6.5mm Self drilling (T265, D455)
-----------------------	---------------------------------------

Cable Gland Seal	TPE
-------------------------	-----



The mount guarantees good heat dissipation



The enclosures adapt to all Mounting Kits

Order Numbers:

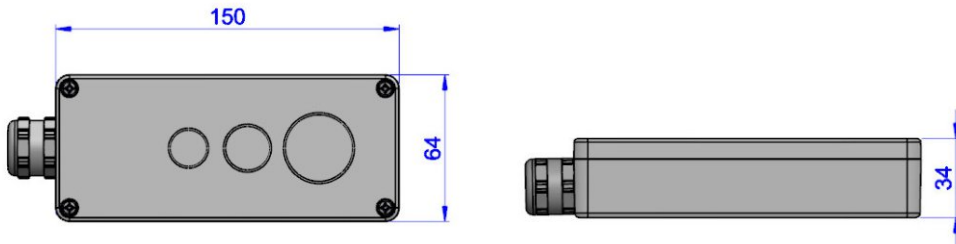
Chameleon XS			
Enclosure Type	Order Number	Enclosure Type	Order Number
RealSense D415	20.105.390	RealSense D435	20.105.391
Enclosure Type	Order Number	Enclosure Type	Order Number
RealSense D455	20.105.393	RealSense T265	20.105.392

Accessories:

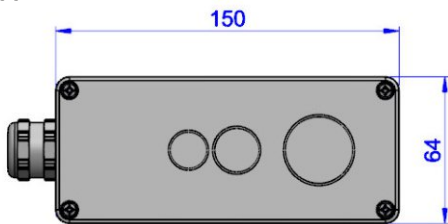
Product	Image	Order No.	Product	Image	Order No.	Product	Image	Order No.
30mm Adapter		20.105.993	Mounting Kit 29		5.290.000	Mounting Kit 9		5.090.000
Mounting Kit 21		5.210.000	40mm Adapter		20.105.994	Mounting Kit 10		5.100.000
Mounting Kit 22		5.220.000	Mounting Kit 1		5.010.000	Mounting Kit 15		5.150.000
Mounting Kit 24		5.240.000	Mounting Kit 2		5.020.000	Mounting Kit 16		5.160.000
Mounting Kit 27		5.270.000	Mounting Kit 6		5.060.000	Mounting Kit 18		5.180.000
Mounting Kit 28		5.280.000	Mounting Kit 7		5.070.000			



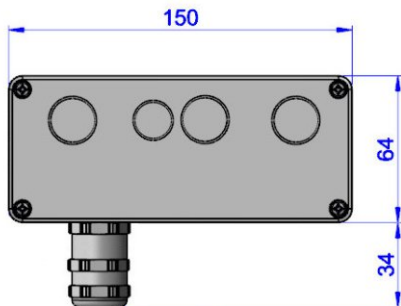
D415



D435



D455



T265

