



### Benefits:

- Perfect for cameras with 90° viewing direction
- Robust construction
- High IP protection class
- High chemical resistance
- Vibration-proof mounting
- Camera mount included



### Technical Details:

<b>Inner Width</b>	68mm
<b>Inner Length</b>	150mm
<b>Max. Camera Height</b> [incl. lens]	36mm [42mm] (S) 36mm [72mm] (ST)
<b>Enclosure Dimensions</b> (w x h x l, no cable gland)	175 x 80 x 62mm (S) 175 x 80 x 92mm (ST)
<b>Window Aperture</b>	45mm (2" window)
<b>Standard Window</b>	BK7, double sided ARC
<b>2" IR Mirror</b>	Order Number: 20.000.010
<b>2" Sapphire</b>	Order Number: 20.000.016
<b>2" Germanium</b>	Order Number: 20.000.017
<b>2" Acrylic, uncoated</b>	Order Number: 20.000.027
<b>2" Acrylic, double sided AR</b>	Order Number: 20.000.029
<b>Window Seal</b>	FKM
<b>Protection Class</b>	IP66 (Nema 4) IP67 (Nema 6)

<b>Weight</b>	Approx. 710g (S) Approx. 880g (ST)
<b>Enclosure Material</b>	Powder Coated Aluminum
<b>Enclosure Seals</b>	Polyurethane
<b>Cable Gland Aperture</b> (max. connector size)	20mm
<b>Cable Diameter</b>	Self drilling
<b>Cable Gland Seal</b>	TPE



The mount provides good heat dissipation

Order Numbers (please specify the camera type for each order!):

<b>Chameleon S</b>	20.100.062
--------------------	------------

<b>Chameleon ST</b>	20.100.092
---------------------	------------



### Benefits:

- Robust construction
- High IP protection class
- High chemical resistance
- Vibration-proof mounting
- Camera mount included
- Perfect for cameras with 90° viewing direction
- Integration of ring lights possible
- Dome window option



### Technical Details:

<b>Inner Width</b>	111mm
<b>Inner Length</b>	204mm
<b>Max. Camera Height</b> (incl. lens, +30mm or +60mm with extension)	48mm (L65) 58mm (L75) 63mm (L80) 73mm (L90)
<b>Enclosure Dimensions</b> (w x h x l, without cable gland)	220 x 120 x 65mm (L65) 220 x 120 x 75mm (L75) 220 x 120 x 80mm (L80) 220 x 120 x 90mm (L90)

<b>Window Aperture</b>	45mm (2" window) 76mm (3" window)
<b>Standard Window</b>	BK7, double sided ARC
<b>2" IR Mirror</b>	Order Number: 20.000.010
<b>2" Sapphire</b>	Order Number: 20.000.016
<b>2" Germanium</b>	Order Number: 20.000.017
<b>3" Germanium</b>	Order Number: 20.000.018
<b>2" Acrylic, uncoated</b>	Order Number: 20.000.027
<b>2" Acrylic, double sided AR</b>	Order Number: 20.000.029
<b>3" Acrylic, double sided AR</b>	Order Number: 20.000.033
<b>Window Seal</b>	EPDM

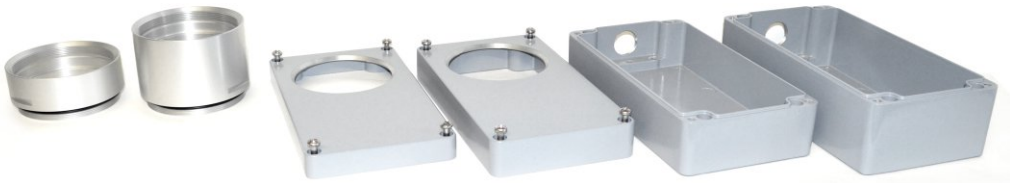
<b>Protection Class</b>	IP66 (Nema 4) IP67 (Nema 6)
-------------------------	--------------------------------

<b>Weight</b>	Approx. 1500g (L65) Approx. 1600g (L75) Approx. 1700g (L80) Approx. 1800g (L90)
<b>Enclosure Material</b>	Powder Coated Aluminum
<b>Enclosure Seals</b>	Polyurethane

<b>Cable Gland Aperture</b> (max. connector size)	20mm
<b>Cable Diameter</b>	Self drilling
<b>Cable Gland Seal</b>	TPE



The mount guarantees good heat dissipation



The components can be combined in multiple variations to adapt to the height of the camera/lens combination

Order Numbers (please specify the camera type!):

Chameleon L	
Enclosure Type	Order Number
L65	20.105.065
L75	20.105.075
L80	20.105.080
L90	20.105.090

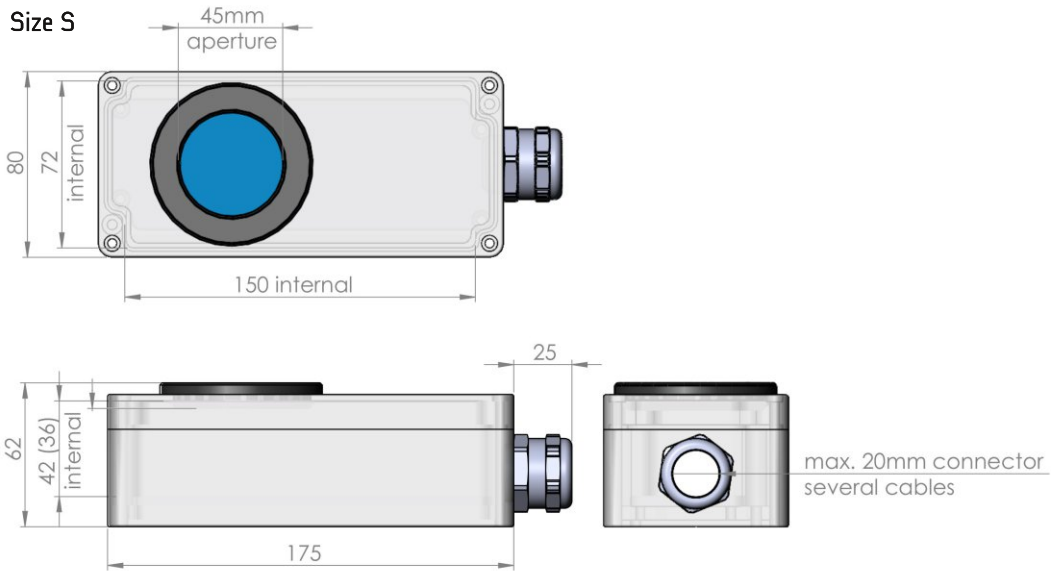


Accessories:

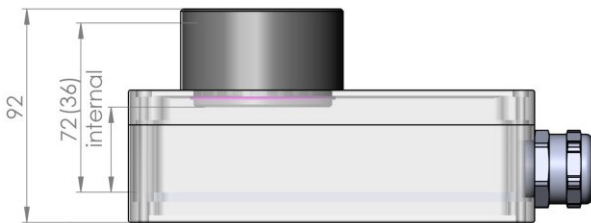
Product	Image	Order No.	Product	Image	Order No.	Product	Image	Order No.
2" Wind Curtain		50.100.010	Moun. Plate Crosswise		20.105.998 for L only	Mounting Kit 7		5.070.000
Tube Wind Curtain 2"		50.100.017	Moun. Plate Lengthwise		20.105.999 for L only	Mounting Kit 9		5.090.000
3" Wind Curtain		50.100.011 for L only	Mounting Plate S		20.105.997 for S only	Mounting Kit 10		5.100.000
Dome Window		20.040.015 for L only	Mounting Kit 1		5.010.000	Mounting Kit 15		5.150.000
30mm Extension		15.030.030 for L only	Mounting Kit 2		5.020.000	Mounting Kit 16		5.160.000
60mm Extension		15.030.085 for L only	Mounting Kit 6		5.060.000	Mounting Kit 17		5.170.000
M72 Front Lid		20.040.018 for L only				Mounting Tool		90.000.004 for L only

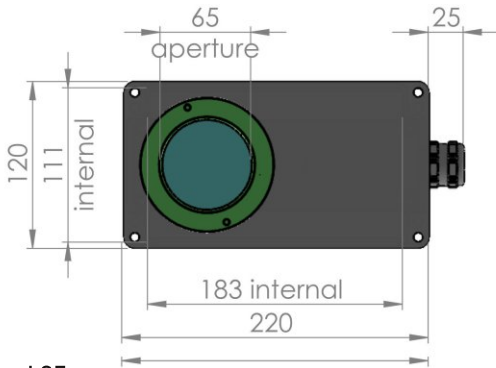


## Size S

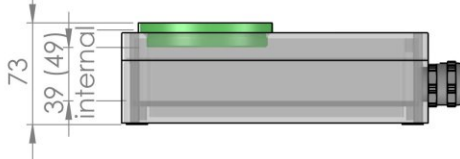


## Size ST



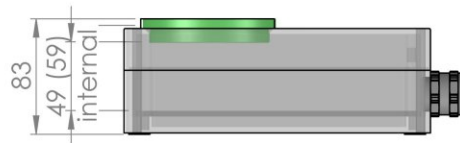


Size L65

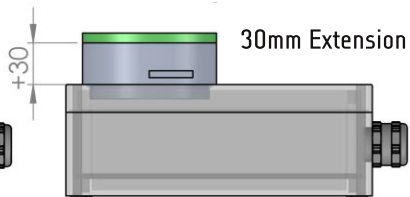
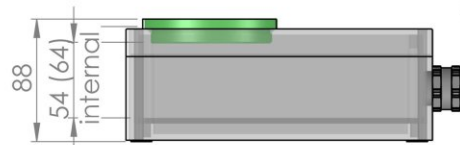


max. 20mm connector  
several cables

Size L75



Size L80



Size L90

