

Iron CoaXPress 3265

Iron CoaXPress Small Form Factor, Ruggedized Camera

Innovative Approach

The **Iron 3265** is a low-cost, low-power, high resolution global CMOS camera with up to 50 Gbps CoaXPress 2.0 interface (Micro-BNC connector) which supports 65 MP high quality video at rates of up to 71fps.

Intelligent Design

The GMAX3265 is a global shutter sensor with a 3.2 μ m pixel size. With a compact outline the camera can be fitted into tight spaces. Superior sensor performance allows very low light vision capabilities.

Applications:

- Perimeter vision
- Low light surveillance
- Special Effects
- Virtual Reality
- 3D

Key Features:

- 65 Megapixel up to 71 fps
- Monochrome and Color models
- Up to 9W power at full rate
- Full image processing feature set
- Up to 50 Gbps CoaXPress interface
- F, EF, Birger EF or M42 mounts are available
- Commercial and rugged industrial grade options
- Full EMVA1288 report
- Full built-in self-test (BIT)
- Full built-in voltage testing
- Customization as per user requirements

Technical Data

Feature	Description
Pixel size	3.2 μm x 3.2 μm
Resolution	9344 (H) x 7000 (V)
Sensor size	29.9 mm x 22.4 mm 7/3"
Sensor	Gpixel GMAX3265
Video output	x 4 channels CoaXPress 2.0 up to 50 (12.5 x 4) Gbps (CXP3, CXP6, CXP12)
Interface connector	x 4 Micro-BNC
Digitization	10 bit, 12 bit
Electronic shutter	Global shutter
Shutter speed	13.35 μs
Exposure control	Off / Internal / Auto
Image acquisition	Continuous / Triggered
Trigger input ^[1]	External, pulse generator, SW
Trigger mode	Free run, externally or internally triggered
Trigger options	Edge, de-bounce
Output resolution	8 bit, 10 bit, 12 bit
Maximal Frame rate	HS model: 71 fps @8 bit 58 fps @10 bit NS model: 31 fps @8 bit 31 fps @10 bit 31 fps @12 bit
Subsampling	1 x 2 / 2 x 1 / 2 x 2 (user configurable)
Monochrome/ color	Monochrome / color
Full well charge	10.9 ke ⁻ @ PGA gain x0.75
Dynamic range	65.0dB @ PGA gain x1.25
Dark current	5.3 e ⁻ pxl/sec @40°C
Quantum efficiency (QE) X FF	<65.3% @500 nm
Temporal noise	2.3 e ⁻ @ PGA gain x6
Angular response	15° (80% horizontal response)
Regulation	FCC Part 15 Class A, CE, RoHs2 (official certification optional)
On camera processing	<ul style="list-style-type: none"> ▪ Defect pixel correction ▪ Digital binning (2 x 2) ▪ ROI ▪ Auto Exposure/Gain ▪ LUT ▪ Gain (Analog / Digital) – manual / auto ▪ Auto/Manual black level ▪ Image H/V flip
Pulse generator	Yes, Programmable at 8 ns increments
Additional features	<ul style="list-style-type: none"> ▪ Over/under voltage protection ▪ Three points of temperature sensing ▪ Per-pixel FPN (optional) ▪ Reverse voltage polarity protection ▪ Frame-by-frame shutter speed change ▪ Global reset
GPIO connection	Two inputs, two outputs, external trigger & strobe controller

Mechanical & Electrical

Feature	Description
Dimensions (without lens mount)	62 mm x 62 mm x 44 mm (Height x Width x Depth)
Lens mount	F-Mount, Canon EF-mount, Birger EF-mount or M42-mount
Weight (without lens or mount)	450g
Typical current	375mA @ 24V
Power input	<ul style="list-style-type: none"> PoCXP full support External 10-28V input
Power consumption	<9W @ 24V DC
Mount	Front mount
Heat dissipation	Active airflow (Fan)
Sensor Mechanical Positioning	≤ 0.15°
Operating temperature	Commercial: 0°C to 50°C, 20-85% humidity (non-condensing) Industrial: -40°C to 70°C, 20-85% humidity (non-condensing)
Storage temperature	Commercial: 0°C to 55°C, 20-85% humidity (non-condensing) Industrial: -40°C to 75°C, 20-85% humidity (non-condensing)
Shock/Vibration ^[2]	MIL 810F

1. The output can be synchronized to the trigger on a frame by frame basis

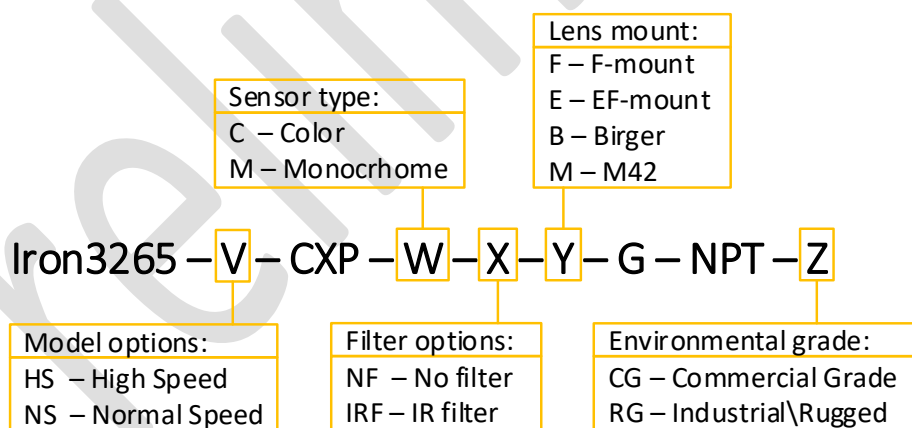
2. MIL 810F is only available for the Industrial\Rugged model and is not available in the commercial version

* Performance is measured at full resolution, maximum bitness and the maximum frame rate for that bitness

** KAYA Instruments reserves the right to update the data sheet from time to time without prior notice.

Ordering Information

KAYA's Part Numbers are intuitive and derived directly from the product's properties. Each index represents a different property of the camera, according to the following diagram:



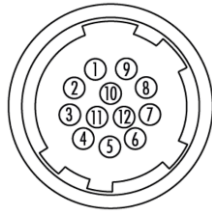
For example: a High-Speed Iron 3265 with a colored sensor, UV-IR cut filter and F-mount, rated for commercial use would go by Iron3265-HS-CXP-C-IRF-F-G-NPT-CG. It is also possible to buy peripheral equipment in addition to the camera as listed in the following table:

Product Name	Product Part Number
Cable, 12P Hirose connector (f)	KY-CBL-006

Please contact a sales representative over at info@kayainstruments.com for a full list of peripherals including cables and frame grabbers.

General Purpose Input Output

GPIO Pinout – 12 Pin Hirose Connector



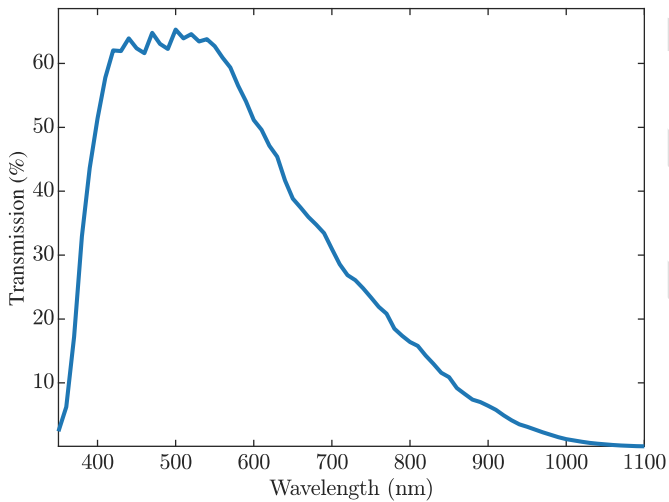
- | | |
|-----------------------|-------------------------|
| 1. DC Power return | 7. OUT1 (TTL) |
| 2. DC Power | 8. IN1 (OPTO) |
| 3. RS232 RX | 9. IN2 (TTL) |
| 4. RS232 TX | 10. IN1/OUT1 Return |
| 5. OUT2 Return (OPTO) | 11. IN2 Return (LVTTTL) |
| 6. RS232 Return | 12. OUT2 (OPTO) |

The GPIO connector used on the camera is a 12 pin male Hirose connector. It is recommended to use a cable with a matching Hirose 12 pin female connector. Hirose’s manufacturer’s part number is listed below:

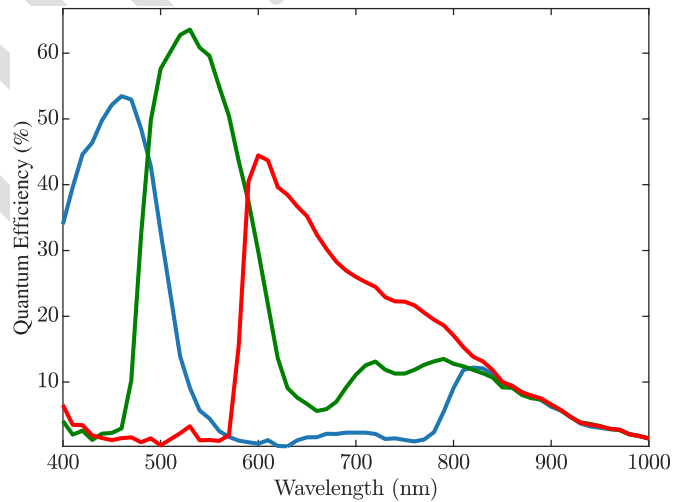
Product Name	Product Part Number
Hirose 12P connector, male	HR10A-10R-12PB
Hirose 12P connector, female	HR10A-10P-12S

GMAX3265 Spectral Responses

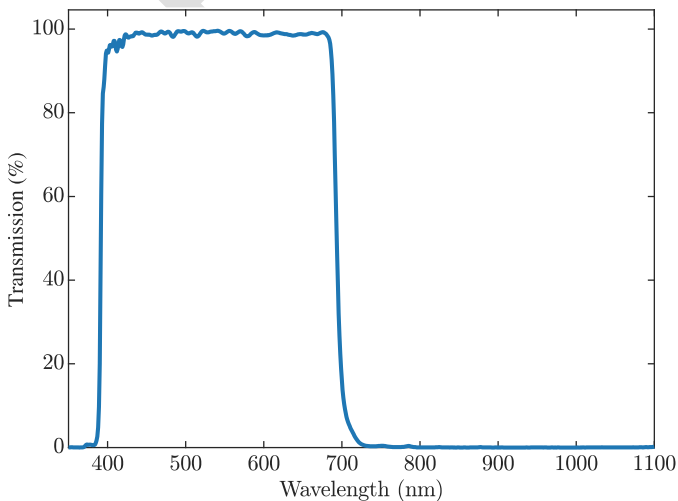
GMAX3265 Mono



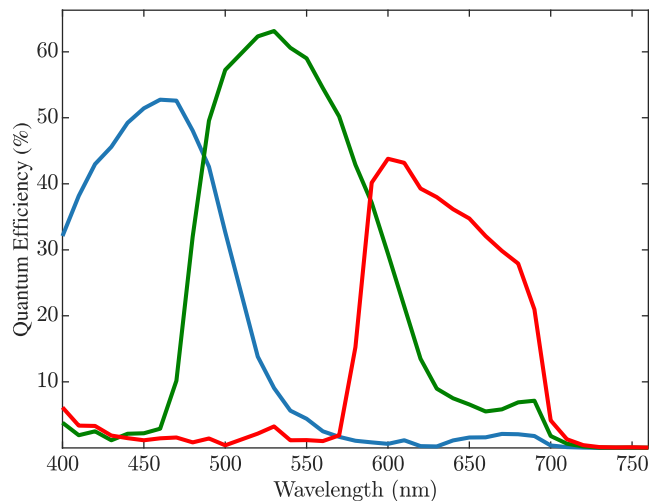
GMAX3265 Color



UV-IR Cut Filter

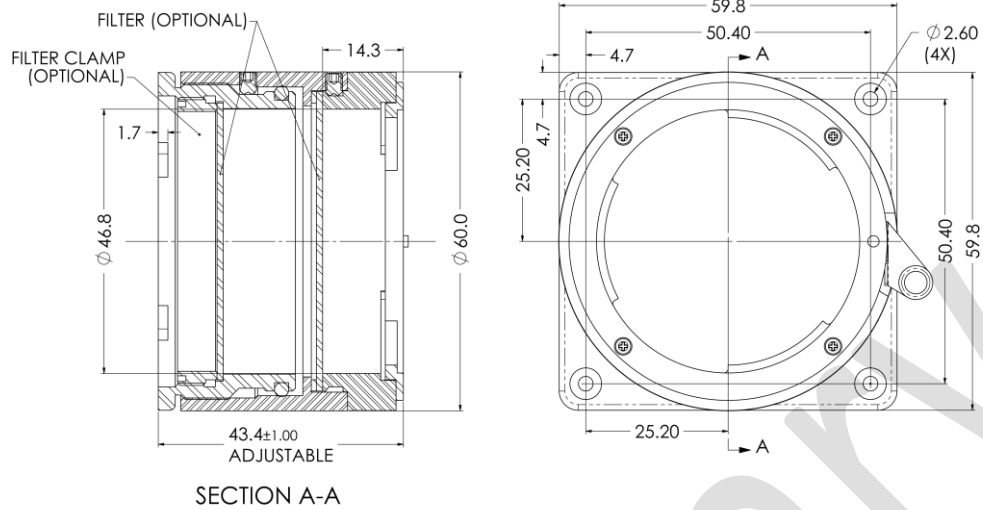


GMAX3265 Color, UV-IR Cut filter

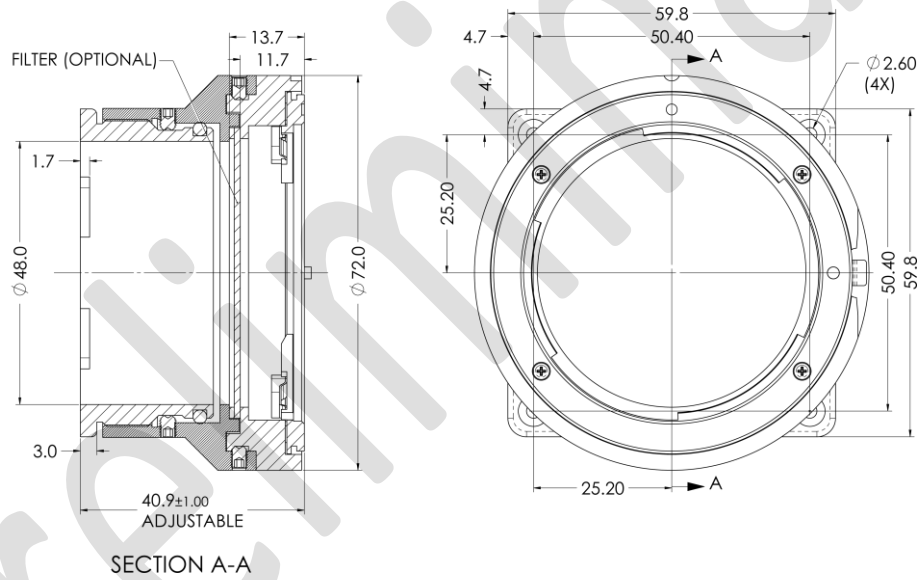


Lens Mounts Mechanical Drawings

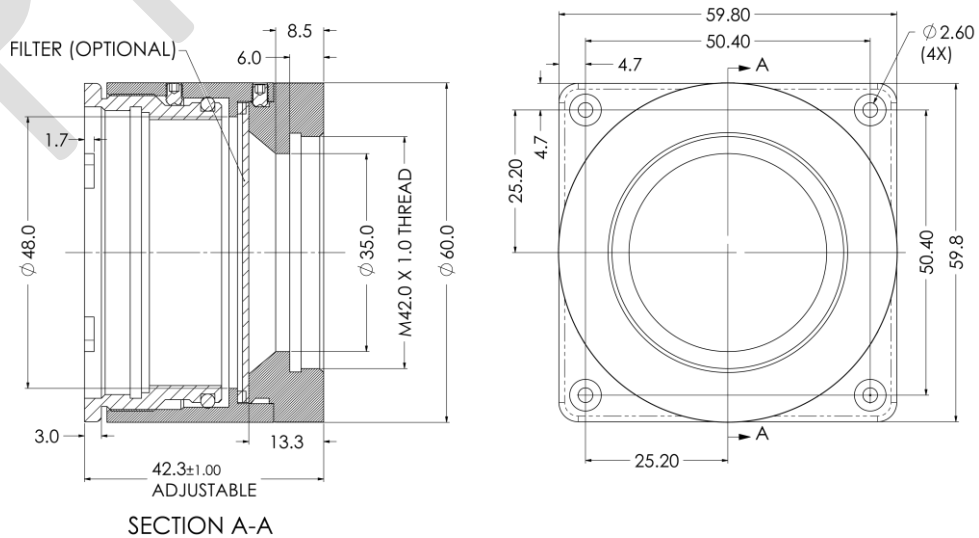
Nikon F mount:



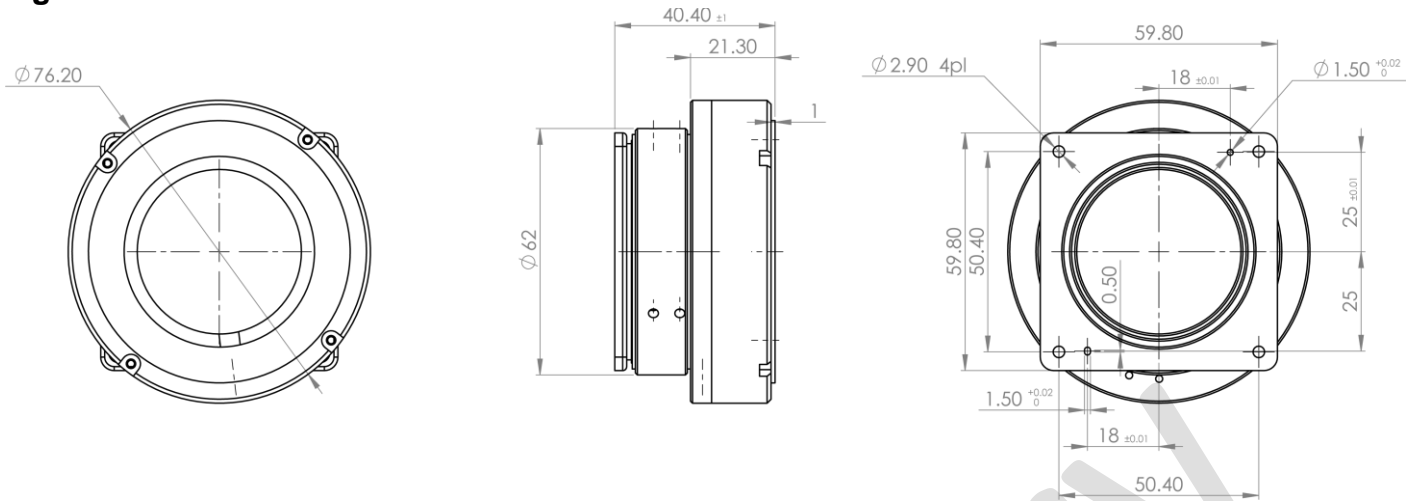
Canon EF mount:



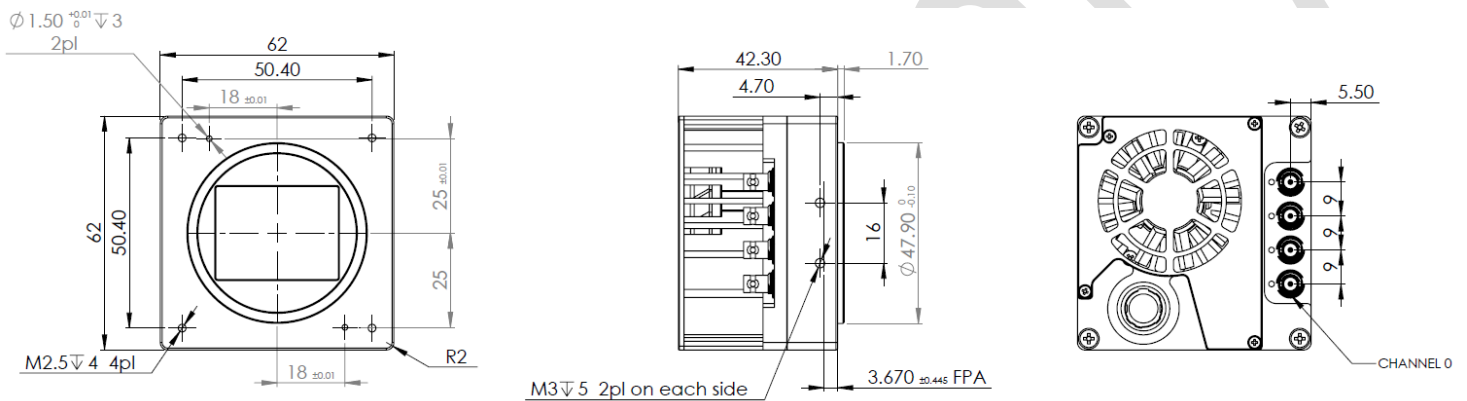
M42 mount:



Birger EF mount:



Mechanical Drawings



Compatibility

KAYA Instruments creates and maintains compatibility and interfaces for the most common and advanced vision image processing libraries and applications.

- ❖ Supported vision standards:



- ❖ Supported vision libraries:



Contact Us

Please feel free to contact our team with any questions or further inquiries at info@kayainstruments.com – we will be happy to provide assistance and consultation.

KAYA Instruments

20 HaMesila St., Nesher 3688520, Israel
POB 25004, Haifa 3125001, Israel

Tel: +972-72-272-3500

Fax: +972-72-272-3511



© 2017 KAYA Instruments, Inc. All rights reserved. KAYA Instruments, the KAYA Instruments Komodo logo, JetCam logo, Predator, Iron and combinations thereof are trademarks of KAYA Instruments, Inc. in the United States and/or other jurisdictions. Microsoft Windows is a registered trademark of Microsoft Corporation. Other names are for informational purposes only and may be trademarks of their respective owners. KAYA Instruments is not liable for harm or damage incurred by information contained in this document

