

# MV-GX1000

## 4-Channel CXP-6 Frame Grabber



GEN*i*CAM

Coa*x*Press®

### Introduction

MV-GX1000 CXP frame grabber supports CXP-6 protocol. The frame grabber's 4 DIN connectors can be connected to 1 to 4 cameras with different combinations, and each DIN connector can access up to 6.25 Gbps data transfer speed.

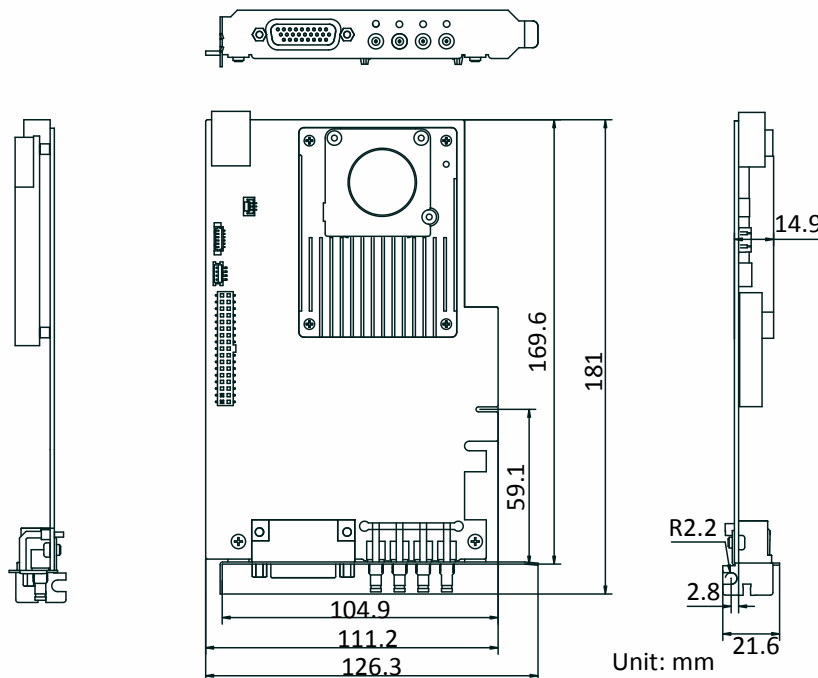
### Available Model

MV-GX1004

### Dimension

### Key Feature

- Supports CXP-6 protocol with each DIN connector accessing up to 6.25 Gbps data transfer speed.
- Supports PoCXP with each channel providing 13 W at most.
- Various indicators indicate frame grabber status in real time.
- Adopts multiple I/O connectors for input and output.
- Provides SDK for secondary development.
- Complies with GenIcam standard.



# Specification

<b>Model</b>	<b>MV-GX1004</b>
<b>Memory</b>	
<b>On-board memory</b>	4 GB DDR3-RAM
<b>Host interface</b>	
<b>Interconnect</b>	PCI-E gen2 × 8
<b>Delivery bandwidth</b>	3900 MB/s (max. transmission bandwidth), 3350 MB/s (sustained transmission bandwidth)
<b>Indicator</b>	1
<b>Camera interface</b>	
<b>Standard</b>	CoaXPress 1.0/1.1
<b>Interface</b>	DIN 1.0/2.3 × 4
<b>Power output</b>	PoCXP, each channel provides 13 W@ 24 VDC at most
<b>Camera type supported</b>	CXP-6 connector industrial camera
<b>Camera quantity supported</b>	4 at most
<b>Camera connection speed</b>	1.25/2.5/3.125/5/6.25 Gbps (CXP-1/2/3/5/6)
<b>Stream</b>	4
<b>Stream indicator</b>	4
<b>Processing feature</b>	
<b>Pixel format</b>	Mono 8/10/12/16, Bayer 8/10/12/16, RGB 8
<b>GPIO</b>	
<b>I/O Type</b>	Provides 24 I/O connectors, including opto-isolated input × 4 (4.5 VDC to 28 VDC), opto-isolated output × 4 (4.5 VDC to 28 VDC), RX422 input × 4, TX422 output × 4, TTL input × 4, and TTL output × 4
<b>Connector</b>	HD26 female header
<b>Electrical feature</b>	
<b>Power consumption</b>	Typ. 20 W (without PoCXP)
<b>Mechanical</b>	
<b>Dimension</b>	181 mm × 126.3 mm × 21.6 mm (7.1" × 5.0" × 0.9")
<b>Temperature</b>	Working temperature: 0 °C to 60 °C (32 °F to 140 °F) Storage temperature: -20 °C to 70 °C (-4 °F to 158 °F)
<b>Humidity</b>	10% to 95% RH, non-condensing
<b>General</b>	
<b>Client software</b>	MVS
<b>Operating system</b>	32/64-bit Windows 7/10
<b>Certification</b>	WEEE, RoHS, REACH

**HIKROBOT**

Hangzhou Hikrobot Technology Co., Ltd.  
No.399 Danfeng Road, Binjiang District, Hangzhou 310051, China.  
en.hikrobotics.com

Copyright Hikrobot

Hangzhou Hikrobot Technology Co., Ltd. All Rights Reserved. Hangzhou Hikrobot Technology does not tolerate any infringement. Any organization or individual may not imitate or reproduce in whole or in part of the content. The data herein is based on Hikrobot's internal evaluation. Actual data may vary depending on specific configuration and operating condition. The information herein is subject to change without notice. All the content has been checked conscientiously. Nevertheless, Hikrobot shall not be liable to damages resulting from errors, inconsistencies or omissions.