



a TKH Vision brand

EXO USB3 Vision

exo183CU3

The SVCam EXO is one of the most flexible and scalable cameras for the industrial market segment. The USB3 Vision interface is easy to integrate in your system, with a data rate up to effective 360 MB/sec. The time to market for applications is shortened, saving cost even further. Power the camera via the interface and reduce cable complexity.

Technical Highlights

- Up to 360 MB/s effective transfer rate
- Leverages existing infrastructure for cables and connectors
- Powers camera with up to 4.5 W
- GenICam compliant
- Cost effective / Easy implementation and interfacing



LED
4 INTEGRATED
LED-CONTROLLERS

SEQ
INTEGRATED
SEQUENCER

STT
SAFE TRIGGER
TECHNOLOGY

PLC
PROGRAMMABLE
LOGIC CONTROL

CHAT WITH US



Specifications

Resolution [MP]	20.2 MP
Resolution (h x v)	5496 x 3672 px
Frame rate(max.)	17 fps
Chroma	color
Interface	USB3.0 (Micro-B)

Sensor

Sensor	IMX183CQJ
Manufacturer	Sony
Sensor type	Area CMOS
Shutter type	rolling shutter
Sensor size (h x v)	13.19 x 8.81 mm
Optical diagonal	15.86 mm
Sensor format	15.86mm (Type 1)
Pixel size (h x v)	2.4 x 2.4 μm

Camera

Exposure modes	MANUAL;AUTO
Trigger modes	INTERNAL;SOFTWARE;EXTERNAL
Exposure time (min)	17 μs
Exposure time (max)	60 sec
Pixel format / max	bayer8, bayer12packed / 12 bit
Gain modes / max	manual, auto / 27 dB
Internal memory	256 MB SDRAM, 32 MB Flash

Feature Set

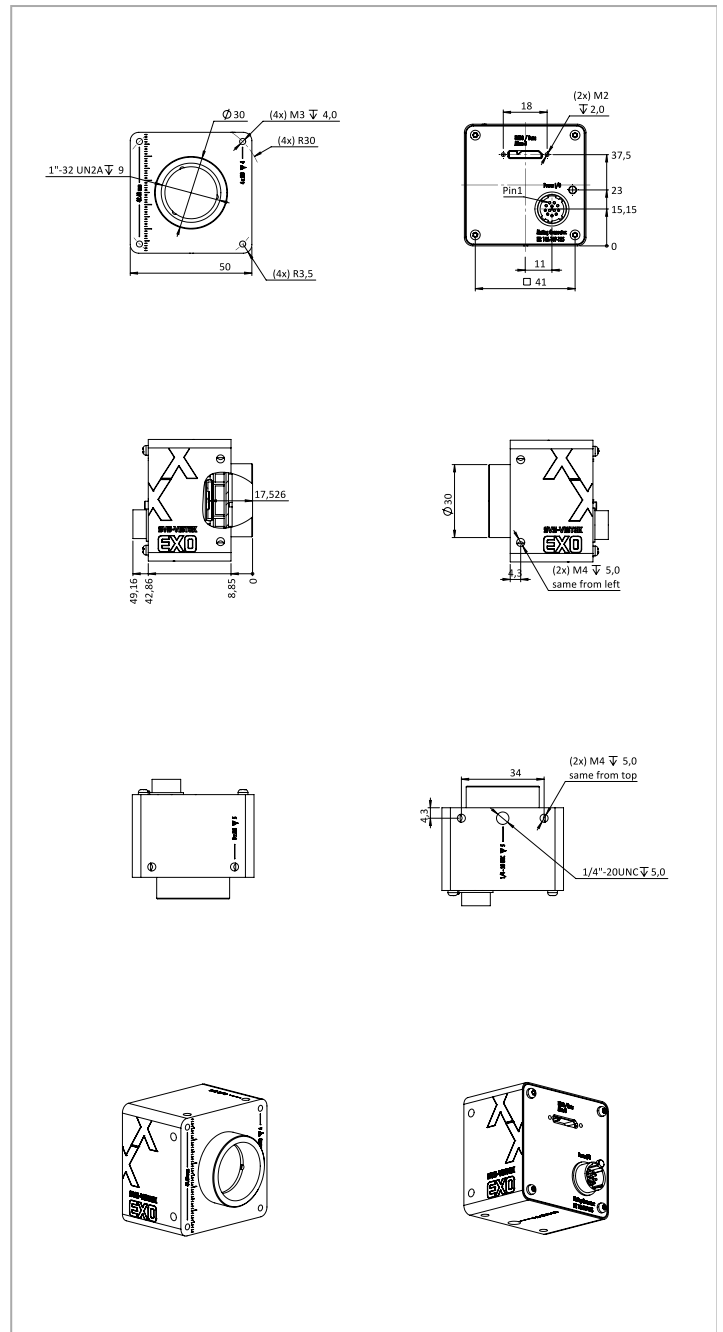
Manual white balance	yes
Automatic white balance	yes
AOI	yes
LUT	yes
Readout control	yes
Binning	yes
Image flip	yes
Sequencer	yes

Housing

Lens mount	C-Mount
Dimensions (w x h x d)	50 x 50 x 42.7 mm
Weight	140 g
Operating temperature (housing)	-10 to 60 °C
Ambient humidity	10 to 90 % (non-condensing)
Protection class	IP40
Filter-/Coverglass	IR-Cut - 680nm

I/O-Interfaces

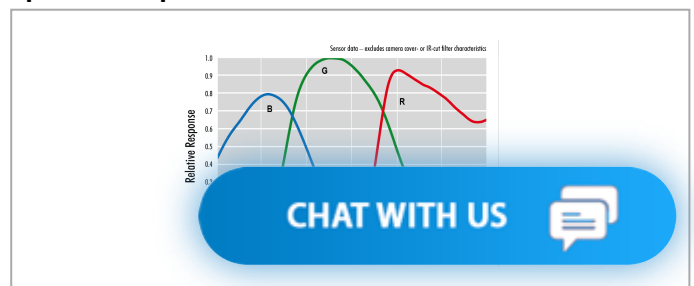
Input up to 24V	2 x
Input OPTO	1 x
Output open drain	4 x
I/O RS-232	1 x
Power supply	10 to 25 V (DC)
Power consumption	5 W (dep. on operating mode)



Pinout Mating Connector

Hirose 12 Pin	1	2	3	4	5	6	7	8	9	10	11	12
	VIN -	VIN +	IN 4	OUT 4	IN 1	IN 2	OUT 1	OUT 2	IN 3 +	IN 3 -	OUT 3	OUT 0
	(GND)	(10 V to 25 V DC)	(RXD RS232)	(TXD RS232)	(0 - 24V)	(0 - 24V)	(open drain)	(open drain)	(opto In +)	(opto In -)	(open drain)	(open drain)

Spectral Response *



* Sensor data – excludes camera cover- or IR-cut filter characteristics

SVS-VISTEK GMBH

Ferdinand-Porsche-Str. 3 82205 Gilching Germany phone +49 8105 3987-60 info@svs-vistek.com

© 2024–2025 SVS-Vistek GmbH

CHAT WITH US

