



a TKH Vision brand

## EXO USB3 Vision

# exo902CU3

The SVCam EXO is one of the most flexible and scalable cameras for the industrial market segment. The USB3 Vision interface is easy to integrate in your system, with a data rate up to effective 360 MB/sec. The time to market for applications is shortened, saving cost even further. Power the camera via the interface and reduce cable complexity.



## Technical Highlights

- Up to 360 MB/s effective transfer rate
- Leverages existing infrastructure for cables and connectors
- Powers camera with up to 4.5 W
- GenICam compliant
- Cost effective / Easy implementation and interfacing



CHAT WITH US



**Please note:** This product is preliminary.  
Technical specifications might change.

## Specifications

Resolution [MP]	12.4 MP
Resolution (h x v)	6048 x 2048 px
Frame rate (max.)	20 fps
Chroma	color
Interface	USB3.0 (Micro-B)

## Sensor

Sensor	IMX902-AQR-C
Manufacturer	Sony
Sensor type	Area CMOS
Shutter type	global shutter
Sensor size (h x v)	16.57 x 5.61 mm
Optical diagonal	17.5 mm
Sensor format	17.50mm (Type 1.1)
Pixel size (h x v)	2.74 x 2.74 $\mu\text{m}$

## Camera

Exposure modes	MANUAL;AUTO;EXTERNAL
Trigger modes	INTERNAL;SOFTWARE;EXTERNAL
Exposure time (min)	5 $\mu\text{s}$
Exposure time (max)	60 sec (external $\infty$ )
Pixel format / max	bayer8, bayer12packed / 12 bit
Gain modes	manual, auto
Internal memory	256 MB SDRAM, 32 MB Flash

## Feature Set

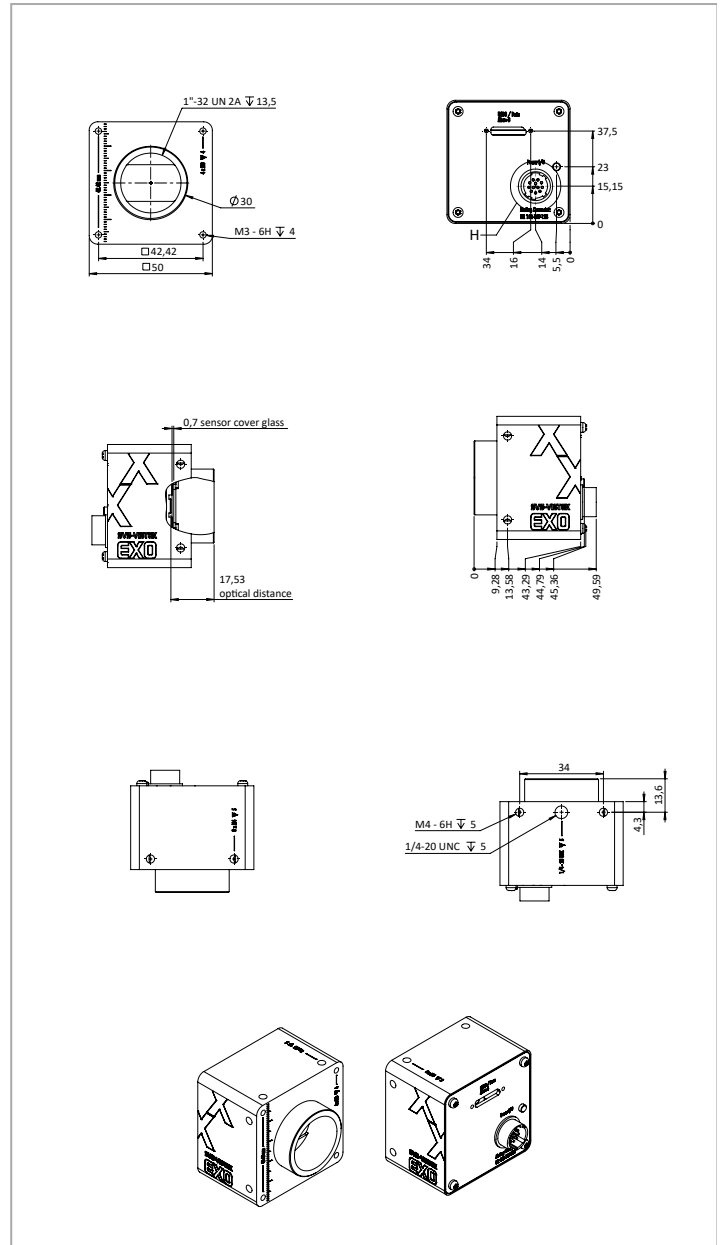
Manual white balance	yes
Automatic white balance	yes
AOI	yes
LUT	yes
Offset	yes
Binning	yes
Image flip	yes
Shading correction	yes
Defect pixel correction	yes
Sequencer	yes

## Housing

Lens mount	C-Mount
Dimensions (w x h x d)	50 x 50 x 43.3 mm
Weight	140 g
Operating temperature (housing)	-10 to 65 °C
Ambient humidity	10 to 90 % (non-condensing)
Protection class	IP40
Filter-/Coverglass	None

## I/O-Interfaces

Input up to 24V	2 x
Input OPTO	1 x
Output open drain	4 x
I/O RS-232	1 x
Power supply	10 to 25 V (DC)
Power consumption	5 W (dep. on operating mode)



## Pinout Mating Connector

	1	VIN - (GND)	7	OUT1 (open drain)
	2	VIN + (10 V to 25 V DC)	8	OUT2 (open drain)
	3	IN 4 (RXD RS232)	9	IN 3 + (opto In +)
	4	OUT 4 (TXD RS232)	10	IN 3 - (opto In -)
	5	IN 1 (0 - 24V)	11	OUT 3 (open drain)
	6	IN 2 (0 - 24V)	12	OUT 0 (open drain)

**SVS-VISTEK GMBH**

Ferdinand-Porsche-Str. 3 82205 Gilching Germany phone +49 8105 3987-60 info@svs-vistek.com

CHAT WITH US



GmbH