



a TKH Vision brand

EX0 USB3 Vision

exo902MU3

The SVCam EX0 is one of the most flexible and scalable cameras for the industrial market segment. The USB3 Vision interface is easy to integrate in your system, with a data rate up to effective 360 MB/sec. The time to market for applications is shortened, saving cost even further. Power the camera via the interface and reduce cable complexity.



Technical Highlights

- Up to 360 MB/s effective transfer rate
- Leverages existing infrastructure for cables and connectors
- Powers camera with up to 4.5 W
- GenICam compliant
- Cost effective / Easy implementation and interfacing



CHAT WITH US



Please note: This product is preliminary.
Technical specifications might change.

Specifications

Resolution [MP]	12.4 MP
Resolution (h x v)	6048 x 2048 px
Frame rate (max.)	20 fps
Chroma	mono
Interface	USB3.0 (Micro-B)

Sensor

Sensor	IMX902-AMR-C
Manufacturer	Sony
Sensor type	Area CMOS
Shutter type	global shutter
Sensor size (h x v)	16.57 x 5.61 mm
Optical diagonal	17.5 mm
Sensor format	17.50mm (Type 1.1)
Pixel size (h x v)	2.74 x 2.74 μm

Camera

Exposure modes	MANUAL;AUTO;EXTERNAL
Trigger modes	INTERNAL;SOFTWARE;EXTERNAL
Exposure time (min)	5 μs
Exposure time (max)	60 sec (external ∞)
Pixel format / max	mono8, mono12packed / 12 bit
Gain modes	manual, auto
Internal memory	256 MB SDRAM, 32 MB Flash

Feature Set

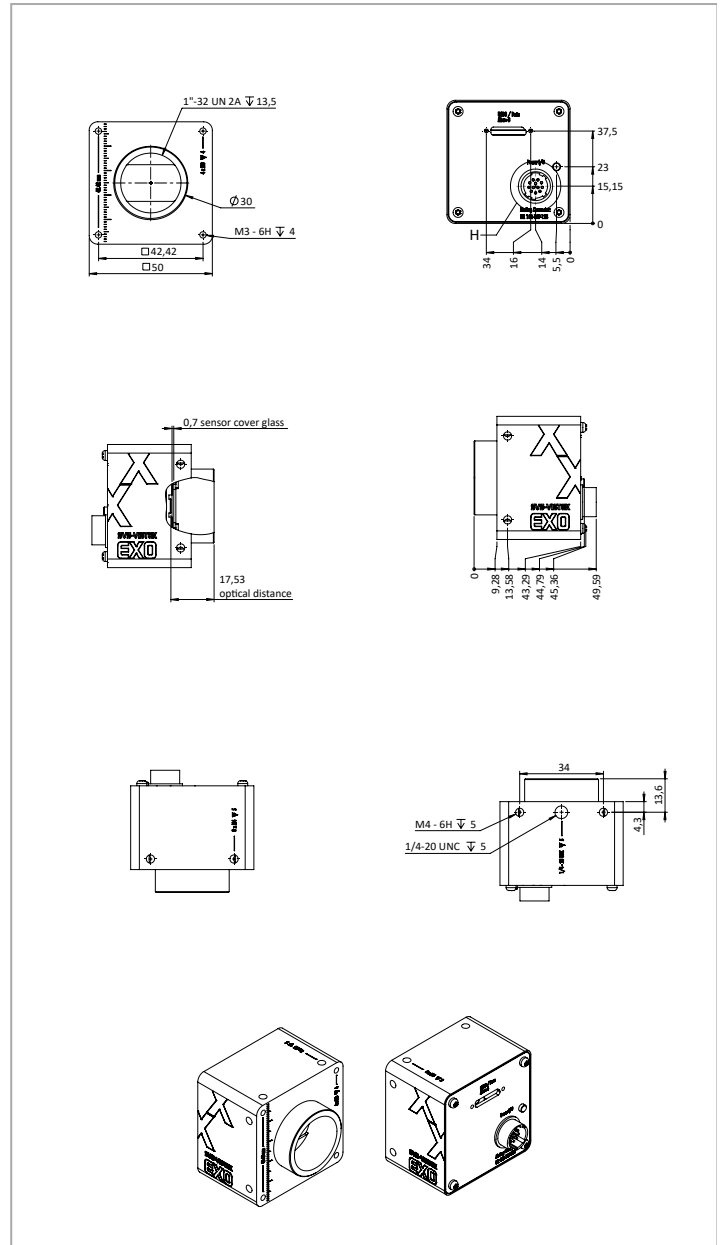
AOI	yes
LUT	yes
Offset	yes
Binning	yes
Image flip	yes
Shading correction	yes
Defect pixel correction	yes
Sequencer	yes

Housing

Lens mount	C-Mount
Dimensions (w x h x d)	50 x 50 x 43.3 mm
Weight	140 g
Operating temperature (housing)	-10 to 65 $^{\circ}\text{C}$
Ambient humidity	10 to 90 % (non-condensing)
Protection class	IP40
Filter-/Coverglass	None

I/O-Interfaces

Input up to 24V	2 x
Input OPTO	1 x
Output open drain	4 x
I/O RS-232	1 x
Power supply	10 to 25 V (DC)
Power consumption	5 W (dep. on operating mode)



Pinout Mating Connector

	1	VIN - (GND)	7	OUT1 (open drain)
	2	VIN + (10 V to 25 V DC)	8	OUT2 (open drain)
	3	IN 4 (RXD RS232)	9	IN 3 + (opto In +)
	4	OUT 4 (TXD RS232)	10	IN 3 - (opto In -)
	5	IN 1 (0-24V)	11	OUT 3 (open drain)
	6	IN 2 (0-24V)	12	OUT 0 (open drain)

SVS-VISTEK GMBH

Ferdinand-Porsche-Str. 3 82205 Gilching Germany phone +49 8105 3987-60 info@svs-vistek.com

© 2024 - 2025 SVS-Vistek GmbH

CHAT WITH US

