

HR CoaXPress

hr51CCX

CoaXPress transmits up to 6.25Gbit/s per line for CoaXPress-6 interfaces and even 12.5Gbit/s for the CoaXPress-12 interface. The Interface also supports long data lines. CXP lines can be operated in parallel. The high bandwidth of current CMOS sensors can therefore be optimally utilized.

The fan can be fully deactivated via software and features a hermetic seal that isolates airflow from internal components, ensuring compatibility with critical cleanroom environments. Optional heatsinks help keep your camera in optimal operating conditions.

Technical Highlights

With its high-resolution CMOS sensors from Sony, Gpixel and ON Semi, the HR CoaXPress delivers outstanding frame rates and offers a wide range of industrial hardware and software features.

- ROI, LUT, Binning, Offset
- Lens shading correction
- Integrated multi-channel LED strobe controller
- CoaXPress-6 or CoaXPress-12
- Industrial TTL-24V I/O interface with SafeTrigger, programmable logic functions, sequencer, timer, RS232
- Power over CXP
- Ideal for cleanrooms



CHAT WITH US



Specifications

Resolution [MP]	51 MP
Resolution (h x v)	8416 x 6032 px
Frame rate(max.)	30 fps
Chroma	color
Interface	CXP-6 with 4 Connections (Din1.0/2.3)

Sensor

Sensor	GMAX4651
Manufacturer	Gpixel
Sensor type	Area CMOS
Shutter type	global shutter
Sensor size (h x v)	38.71 x 27.75 mm
Optical diagonal	47.63 mm
Sensor format	35mm Full Frame
Pixel size (h x v)	4.6 x 4.6 μm

Camera

Exposure modes	MANUAL;AUTO
Trigger modes	INTERNAL;SOFTWARE;EXTERNAL
Exposure time (min)	16 μs
Exposure time (max)	60 sec
Pixel format / max	bayer8, bayer12 / 12 bit
Gain modes	manual, auto
S/N ratio (max)	42.6 dB (dep. on environment)
Dynamic range (max)	65 dB (dep. on environment)
Internal memory	512 MB SDRAM, 160 MB Flash

Feature Set

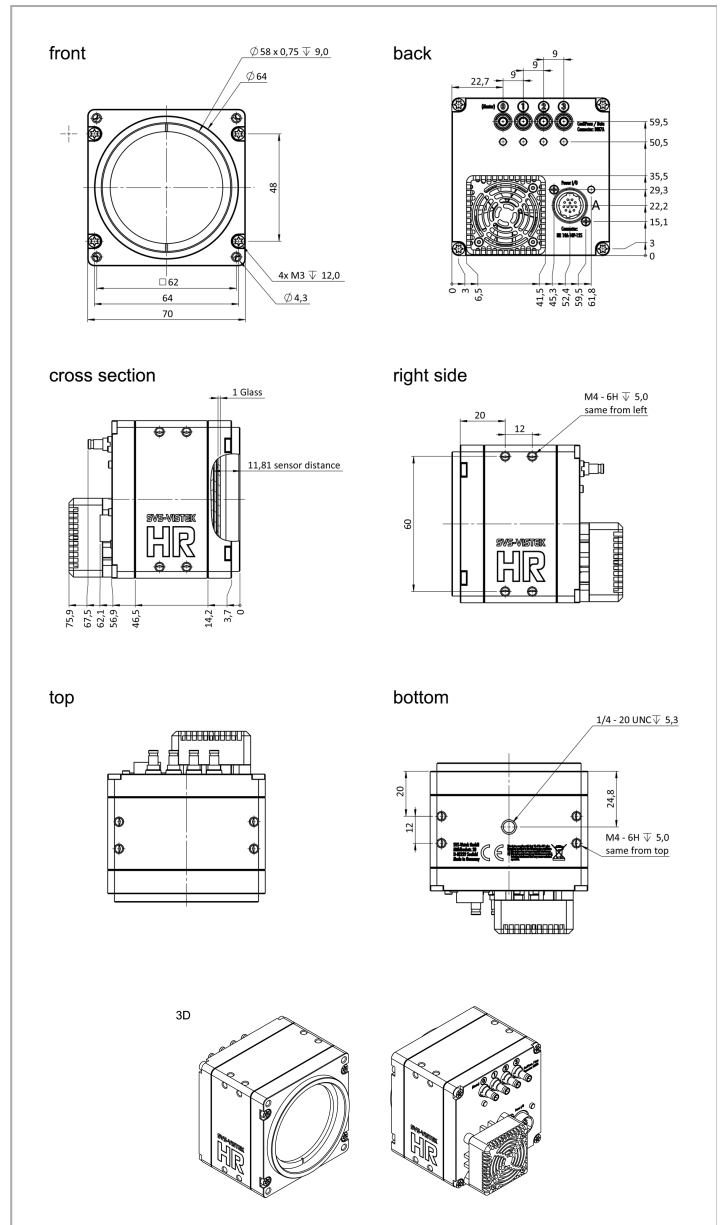
Manual white balance	yes
Automatic white balance	yes
AOI	yes
LUT	yes
Offset	yes
Binning	yes
Image flip	yes
Sequencer	yes
PoCXP	yes

Housing

Lens mount	M58x0.75
Dimensions (w x h x d)	70 x 70 x 75.9 mm
Weight	380 g
Ambient temperature	-10 to 45 $^{\circ}\text{C}$
Ambient humidity	10 to 90 % (non-condensing)
Protection class	IP30
Filter-/Coverglass	IR-Cut 680

I/O-Interfaces

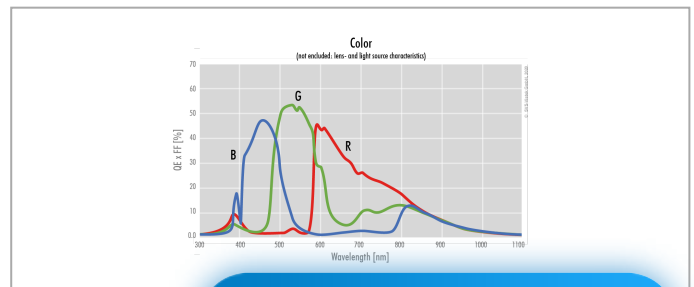
Input up to 24V	2 x
Input OPTO	1 x
Output open drain	4 x
I/O RS-232	1 x
Power supply	10 to 25 V (DC)
Power consumption	13 W (dep. on operating mode)



Pinout Mating Connector

	1	VIN - (GND)	7	OUT 1 (open drain)
	2	VIN + (10V to 25V DC)	8	OUT 2 (open drain)
	3	IN 4 (RXD RS232)	9	IN 3 + (opto In +)
	4	OUT 4 (TXD RS232)	10	IN 3 - (opto In -)
	5	IN 1 (0 - 24V)	11	OUT 3 (open drain)
	6	IN 2 (0 - 24V)	12	OUT 0 (open drain)

Spectral Response *



* Sensor data - exc characteristics

CHAT WITH US



